

# Product Specification:

## Overview:

Water-and-energy efficient mixer shower  
Concealed void shower system  
Air-Powered shower technology

## Operation:

2-Way Diverter: Flex Head Shower / Handset  
Thermostatic Mixing Valve (TMV2 approved)

## Electrical:

System Voltage: 24V DC  
Supply Rating: 3A Fused spur  
Rated Power: 37W (Operation), 1.8W (Standby)

## Construction:

Shower Head: Chrome plated ABS  
Shower Handset: Chrome plated ABS  
Nozzles: TPE

Compatible with any mixing valve

## Water:

Flow rate: 5.0 l/min  
Materials: WRAS approved (water path materials)  
Operating Pressures: 1 – 5 bar (dynamic)  
Water Supply: Separate hot and cold feed  
Complies to BS EN1111:2017, BS EN1287:2017

## Manufacturer's Guarantee:

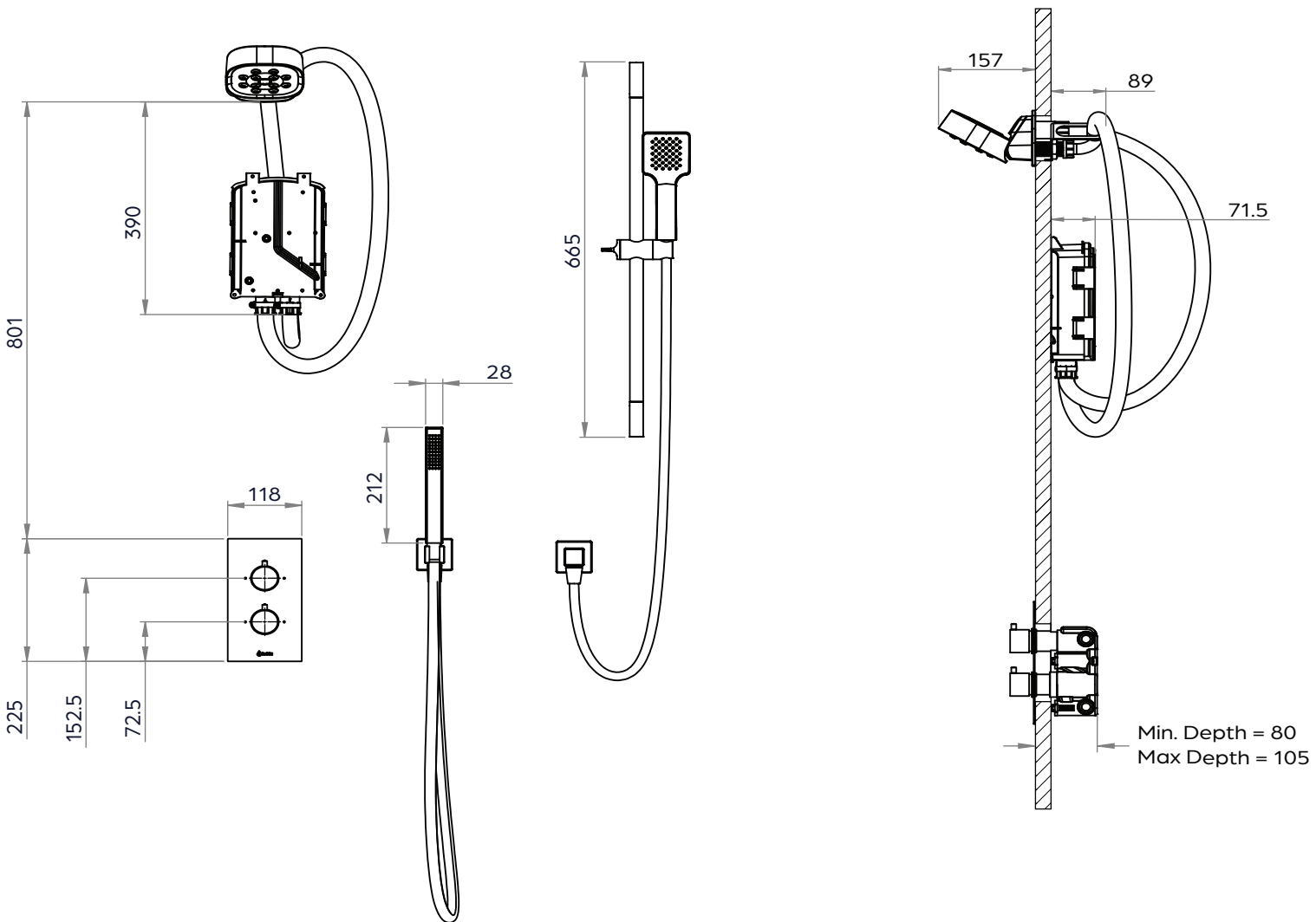
2-Year parts and labour

## Logistics:

Part No. 91021105 (5 Indicates flow rate)  
Packaged Dimensions: H700 x W390 x D200 (mm)  
Net Weight: 8.13KG  
Packed Weight: 9.87KG



# Product Dimensions:



### Control Hub Dimensions:

(mm)

Height:	259
Width:	155
Depth:	72

### Installation: (mm)

Height to Flex Head	2000
---------------------	------

### Flow Rates:

5 LPM:	91021105
6 LPM:	91021106 (Available to order)

### SAP:

SAP Model Qualifier No. 91XXXXX5

### Model Options:

91020105 (Handset Holder)
91017105 (Riser Rail)

Installation should be completed to suit the user's requirements

# Product schematics:

