

To be retained by homeowner/ end user

BubbleSpa® Overhead Shower - Wall Arm

95001000

BubbleSpa® Overhead Shower - Ceiling Arm

95002000



We at Kelda Showers are the inventors of Air-Powered technology. Our patented technology delivers showers which provide an elegant experience whilst using low amounts of water. Kelda showers are not only eco-friendly, but they are engineered to last, too. They have been exposed and tested in the most demanding real-life environments to ensure they can withstand the pressures of high usage.

Kelda Showers is thrilled to introduce the world's first BubbleSpa® shower. At the forefront of luxury showering, Kelda is injecting magic into the showering experience to transform the everyday bathroom into a place of personal sanctuary and tranquillity. Kelda's unique BubbleRain spray form creates very large droplets filled with air that fall softly on the body for a luxurious shower feel that revitalises the skin and rinses away stress.

Kelda BubbleSpa® designed in the UK. Enjoy a magical shower experience every time.

You can find more information on our website:  
<https://www.keldashowers.com>

## Table of Contents

- 3 - Important Safety Information
- 4 - System Diagram
- 8 - Contents
- 10 - Installation
- 18 - Electrical Installation
- 20 - User Guide
- 22 - Maintenance
- 26 - Troubleshooting
- 27 - Customer Care



# Important Safety Information

This product requires a hot and a cold water supply in addition to an electrical connection (see Electrical Installation section on pages 18-19 for details). This product is not an electric shower.

Products manufactured by Kelda Technology are safe and without risk provided they are installed, used and maintained in accordance with our instructions and recommendations.

DO NOT operate the unit if the Overhead Shower becomes damaged.

DO NOT restrict the flow out of shower by placing an obstruction in front of the HydrO<sub>2</sub> nozzles.

DO NOT allow children to play with the shower.

DO NOT allow children or people with reduced physical, mental or sensory capacities to use the shower without supervision.

## General

1. Read all the instructions before installation and retain this installation guide for later use. Check the Kelda website for the most up to date edition of the manual.
2. DO NOT take risks with plumbing or electrical equipment.
3. Isolate electrical and water supplies before proceeding with the installation.
4. The Overhead Shower must be cleaned regularly with descalant to remove scale and debris (see Maintenance section on pages 22-26).
5. This product is not suitable for mounting into steam rooms or steam cubicles.
6. The shower should not be installed in an outdoor environment, including sheltered areas.
7. The Overhead Shower is IPX4 rated but must be protected from plumbing leaks. DO NOT spray water at the top of the Overhead Shower as this risks damaging the electronics.

## Plumbing

1. The plumbing installation must comply with water regulations, building regulations or any particular regulations as specified by the local water company or water undertakers and should be in accordance with BS EN 806 (Specifications for installations inside buildings conveying water for human consumption. Operation and maintenance).
2. **IMPORTANT! The hot and cold water supply pipes must be flushed to clear debris before connecting to water inlets on the shower.**
3. DO NOT use excessive force when making connections to the mixer.
4. All plumbing connections must be completed before making the electrical connections.
5. Water Pressure: A 1.5 bar (0.15 MPa) mixed supply is required as a minimum at the valve output. The maximum

water pressure is 5 bar (0.5 MPa). If using a low pressure (gravity fed) system a suitable pump will be required. Your BubbleSpa® shower is designed to perform best between 8-12L/min and will not produce bubbles with a flow rate below 6L/min. Using the BubbleSpa® shower without a Kelda-supplied flow regulator will void the warranty and negatively affect the performance of the product.

## Electrical

1. The installation must comply with BS 7671 'Requirements for electrical installations' (IEE wiring regulations), building regulations or any particular regulations as specified by the local electrical supply company.
2. In accordance with 'The Plugs and Sockets etc. (Safety) Regulations 1994', this appliance is intended to be permanently connected to the fixed wiring of the electrical mains system.
3. A 32A 30mA Residual Current Breaker Operator (RCBO) MUST be installed in all UK electric and pumped shower circuits. This may be part of the consumer unit or a separate unit.
4. Each shower must be connected to a 3A switched fused spur which is easily accessible. Switch off at fused spur for maintenance or if not in use for extended periods. This is a safety procedure recommended with all electrical appliances.
5. Make sure all electrical connections are tight to prevent overheating.
6. As with all electrical appliances, it is recommended to have the shower and installation checked at least every two years by a competent electrician to ensure there is no deterioration due to age and usage.
7. Only the power supply and cables provided by Kelda can be used. Damaged power supplies and cables should be scrapped, other power supplies or cables cannot be used. Contact Kelda for a replacement.

## Flashing Lights

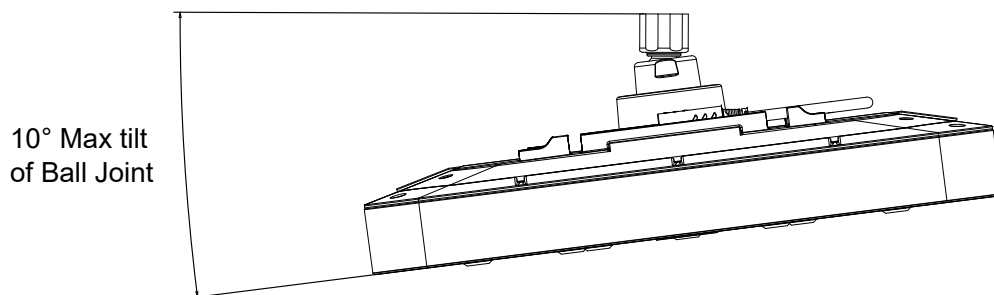
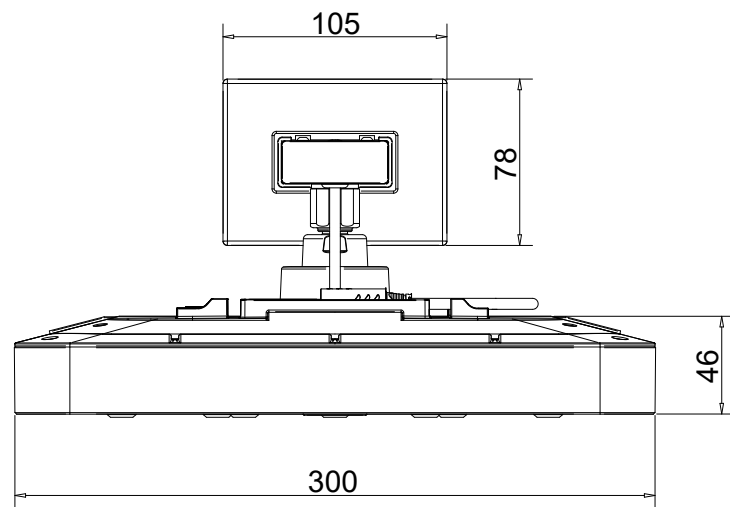
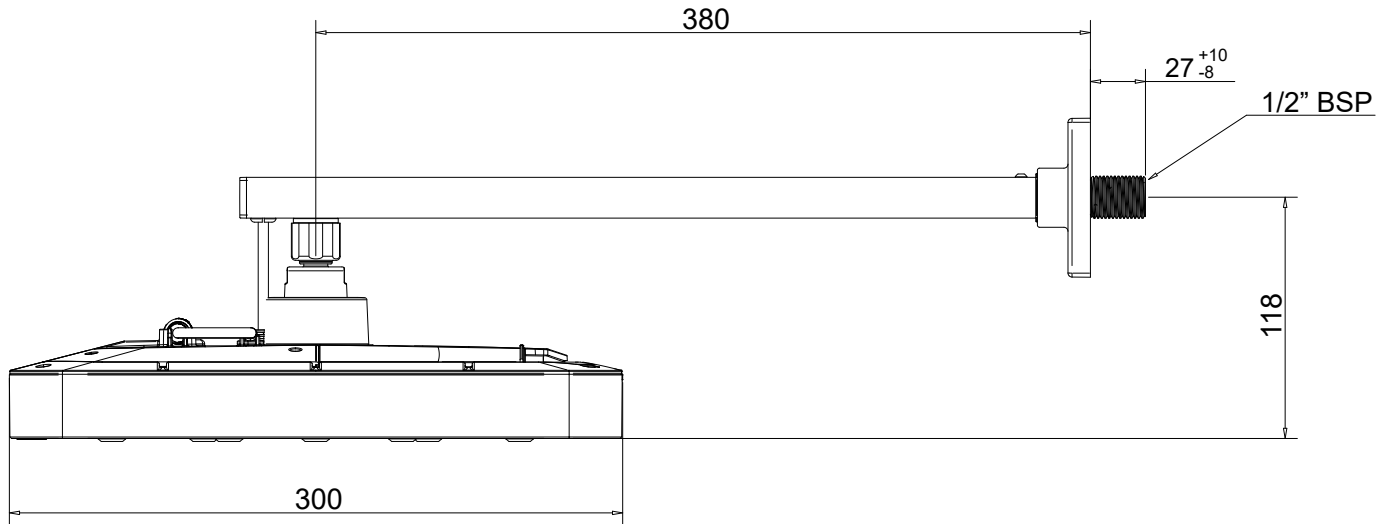
To enhance the visual impact of the bubbles, this shower uses flashing light effects with a minimum frequency of 72Hz. This is in accordance with safety guidance from the IEEEE (IEEE 1789-2015) and is safely above the 3-30Hz range (commonly identified as values to be avoided for people with photosensitive conditions).

The visual effect of the lighting modes will vary depending on ambient lighting and the environment in which it is installed (see page 21 for more details on Bubble Modes).

Anyone diagnosed with a condition which could be triggered by flashing lights should seek further medical advice.

# System Diagram

## BubbleSpa® Wall Arm

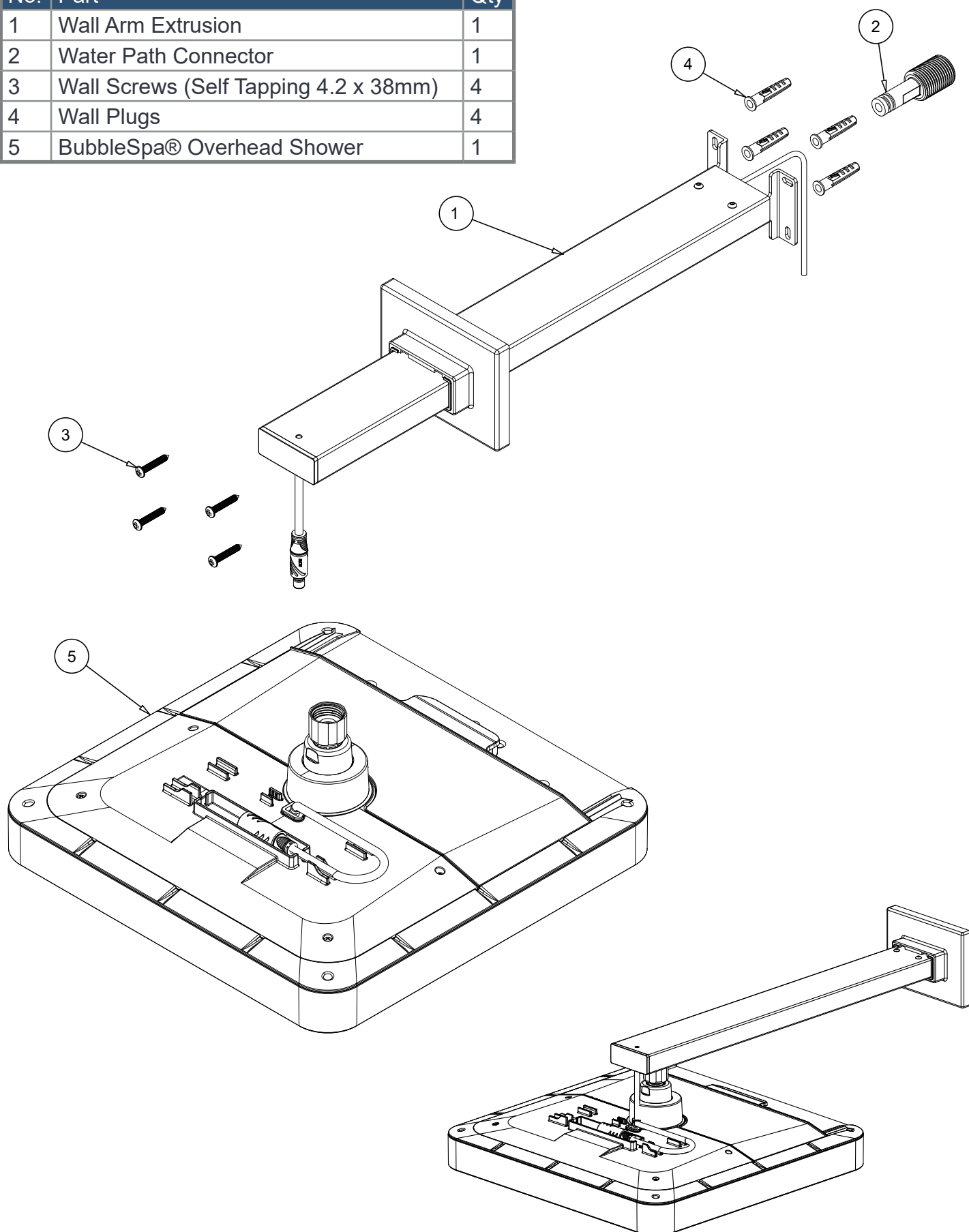


*Tilting of the BubbleSpa® Overhead Shower can be in any direction. All dimensions are in mm unless otherwise stated.*

# System Diagram

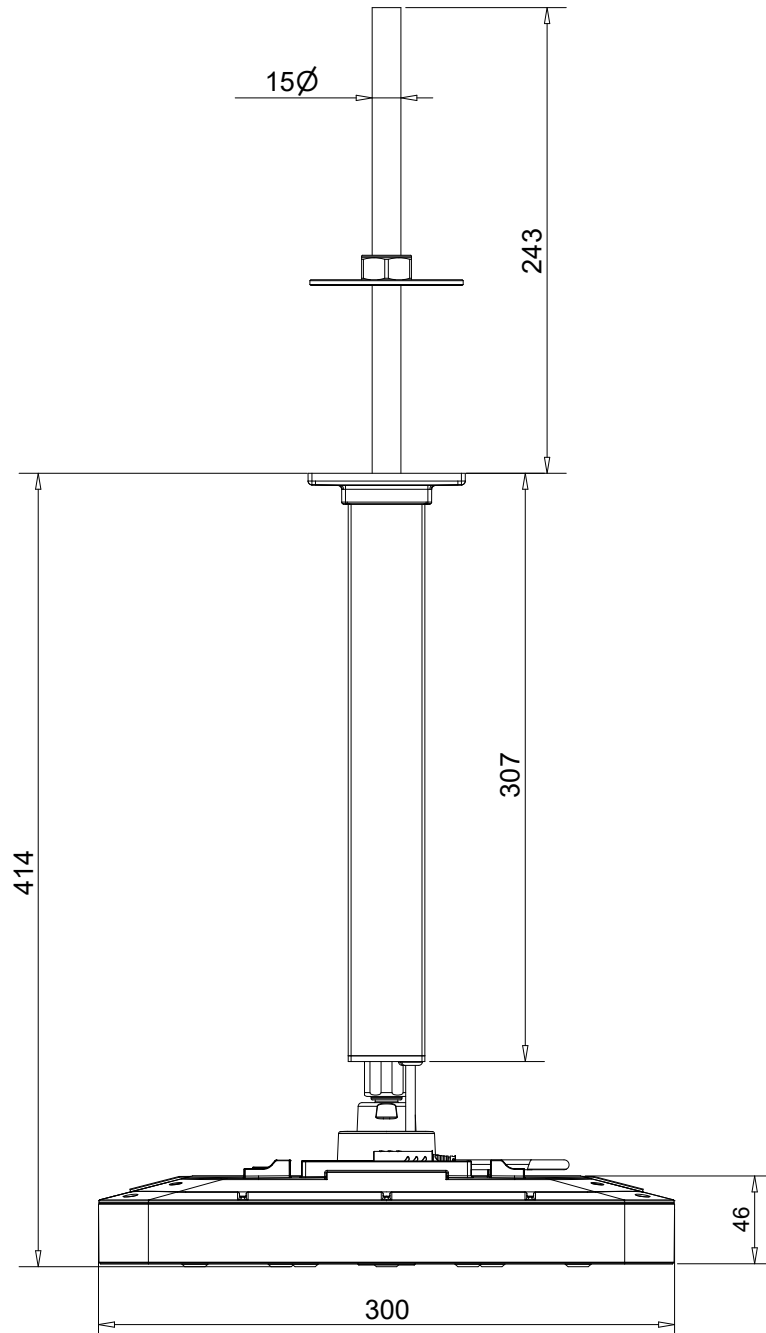
## BubbleSpa® Wall Arm & Valve

No.	Part	Qty
1	Wall Arm Extrusion	1
2	Water Path Connector	1
3	Wall Screws (Self Tapping 4.2 x 38mm)	4
4	Wall Plugs	4
5	BubbleSpa® Overhead Shower	1

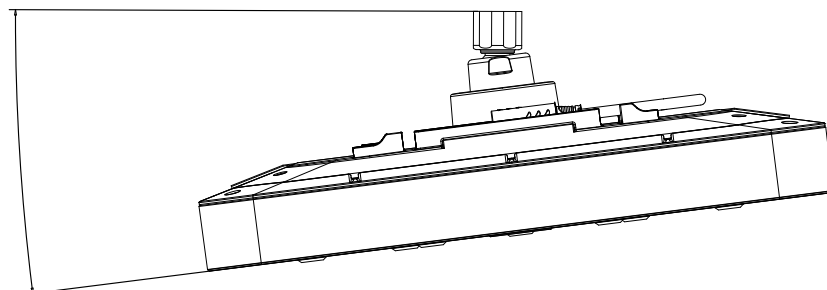


# System Diagram

## BubbleSpa® Ceiling Arm



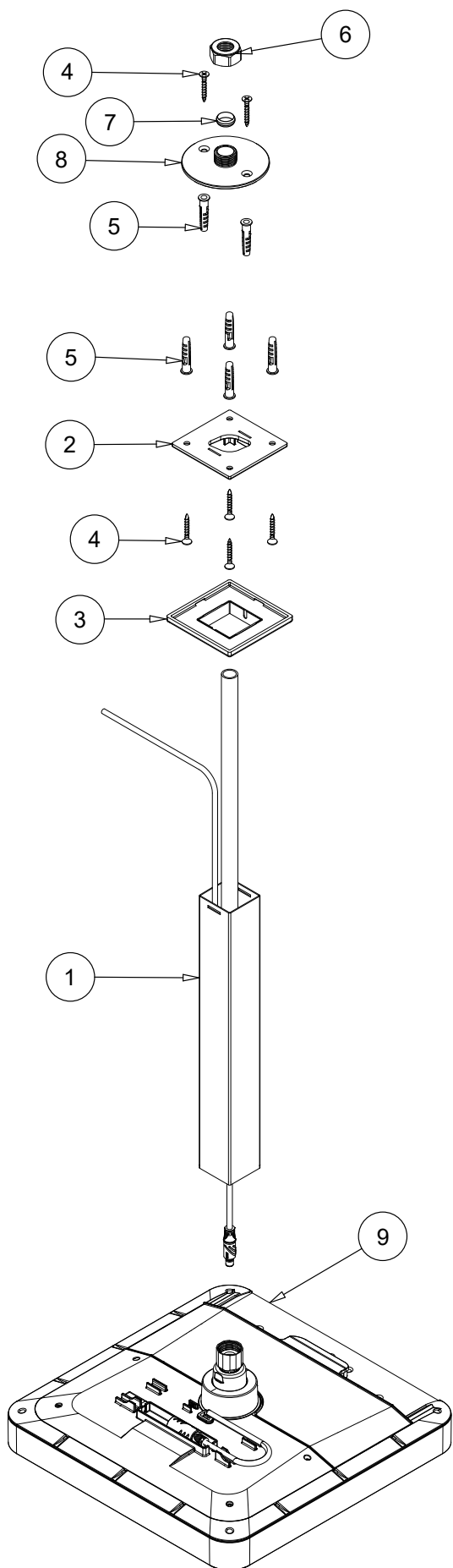
10° Max tilt  
of Ball Joint



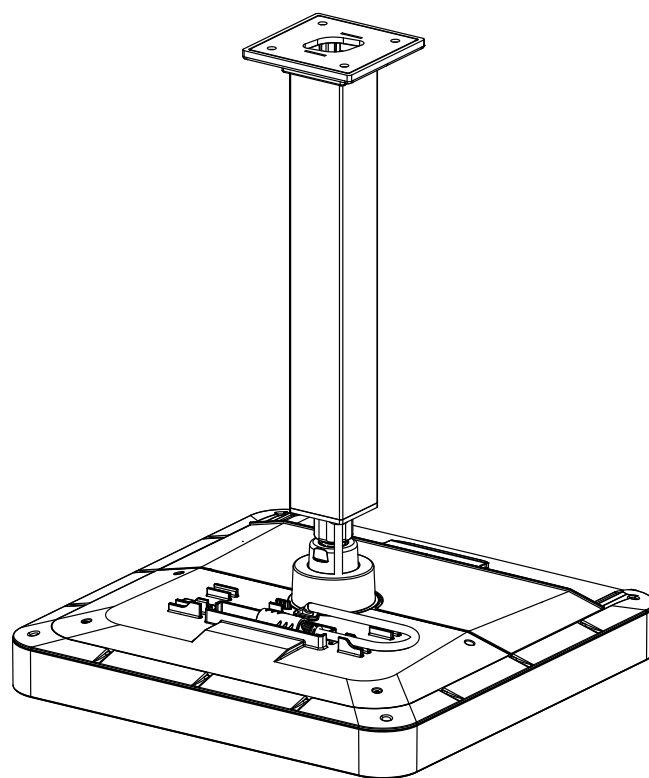
*\*Drawing shows the lengths of the parts as supplied. The Inner Pipe can be cut down to an appropriate length if necessary. The tilting of the BubbleSpa® Overhead Shower can be in any direction. All dimensions are in mm unless otherwise stated.*

# System Diagram

## BubbleSpa® Ceiling Arm & Valve



No.	Part	Qty
1	Ceiling Arm Extrusion	1
2	Ceiling Arm Bracket	1
3	Ceiling Arm Trim	1
4	Wall Screws (Self Tapping 4.2 x 38mm)	6
5	Wall Plugs	6
6	Compression Nut	1
7	Olive	1
8	Mounting Plate	1
9	BubbleSpa® Overhead Shower	1

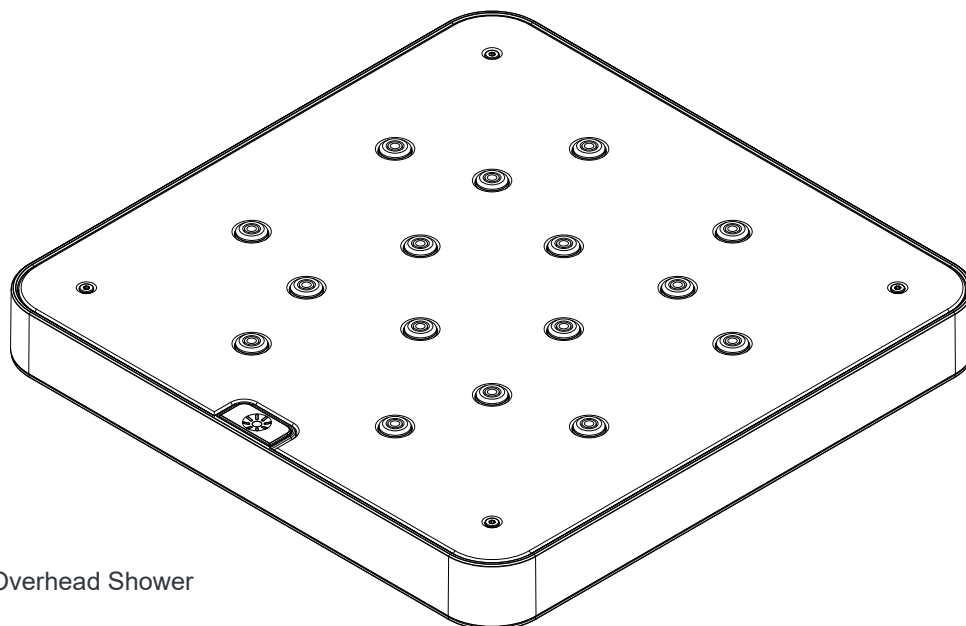


# Contents

## BubbleSpa® Wall Arm

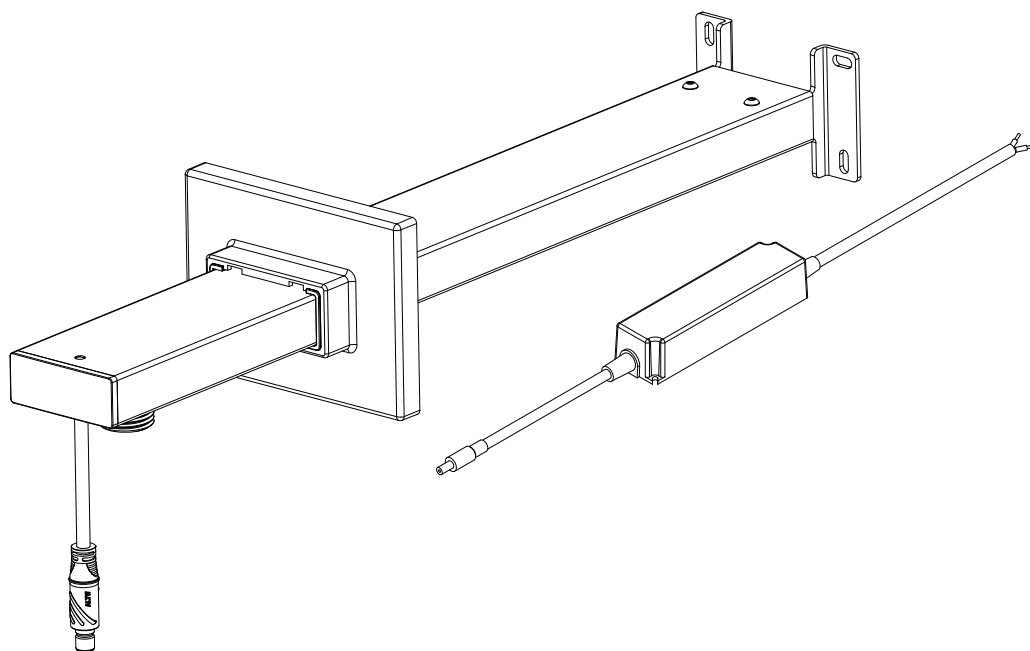
Your BubbleSpa® shower includes the following assemblies and parts:

### 1 Overhead Shower



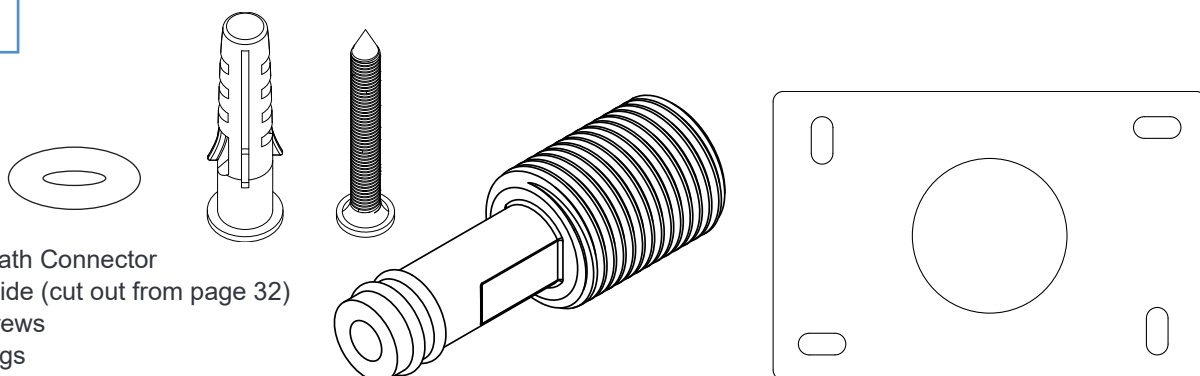
- x1 Kelda BubbleSpa® Overhead Shower

### 2 Wall Arm



- x1 Wall Arm Assembly
- x1 Transformer

### 3 Installation



- x1 Water Path Connector
- x1 Hole Guide (cut out from page 32)
- x4 Wall Screws
- x4 Wall Plugs
- x2 Spare O-ring

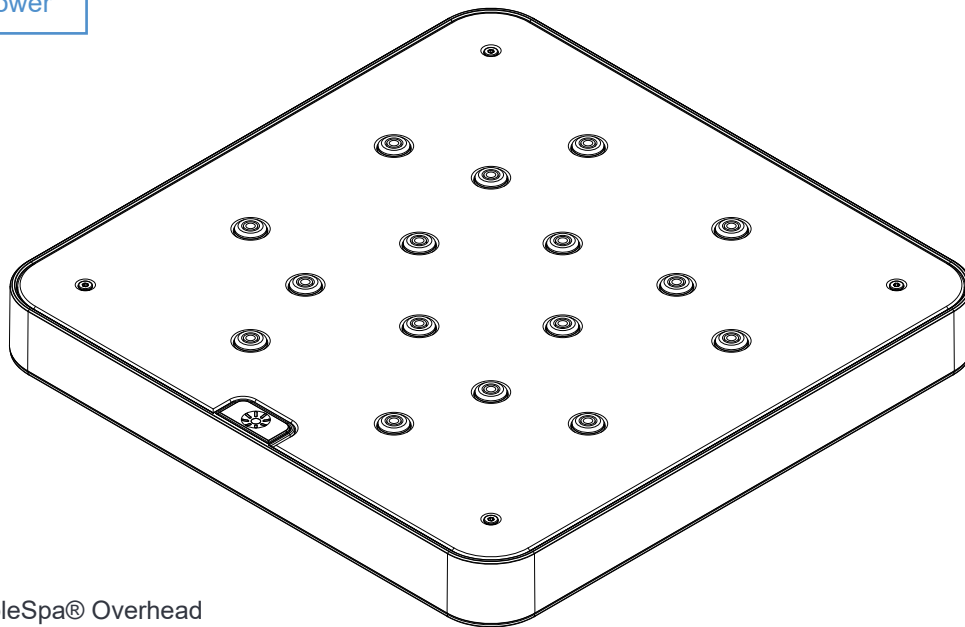


# Contents

## BubbleSpa® Ceiling Arm

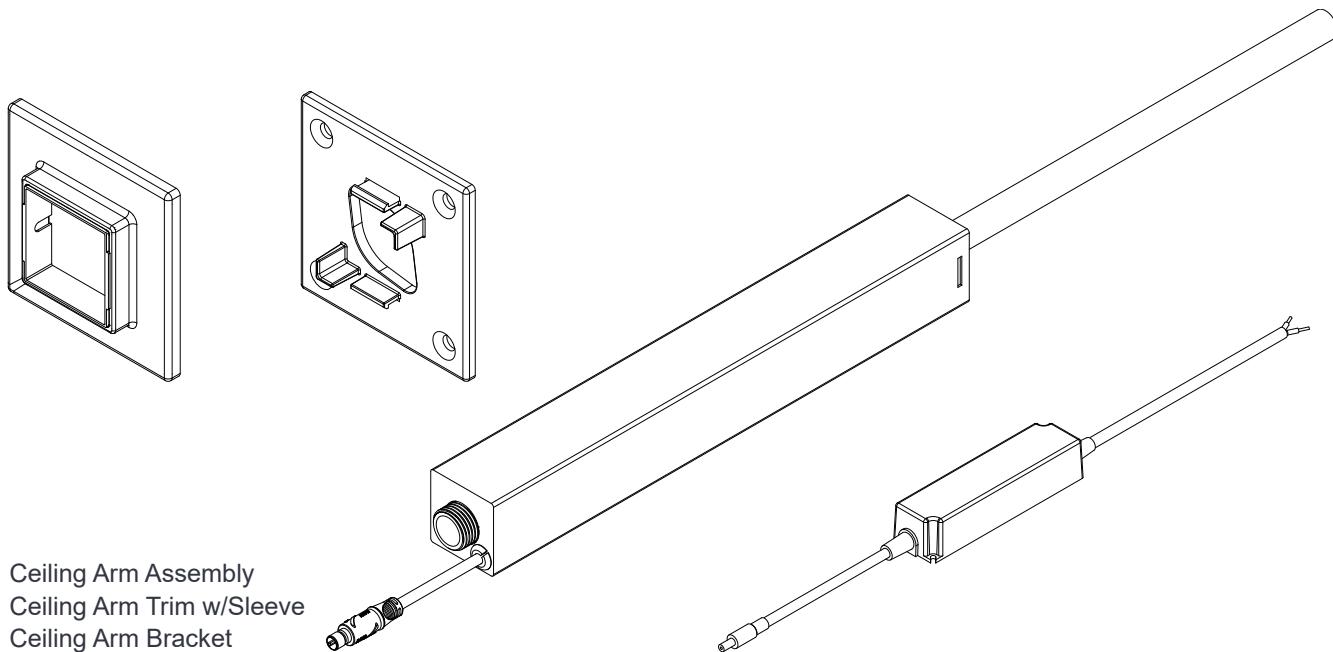
Your BubbleSpa® shower includes the following assemblies and parts:

### 1 Overhead Shower



- x1 Kelda BubbleSpa® Overhead Shower

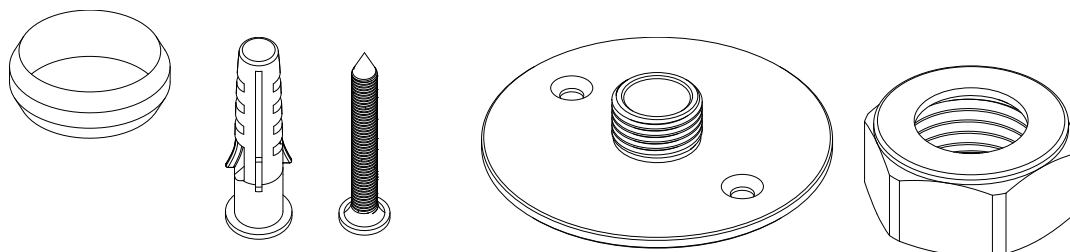
### 2 Ceiling Arm



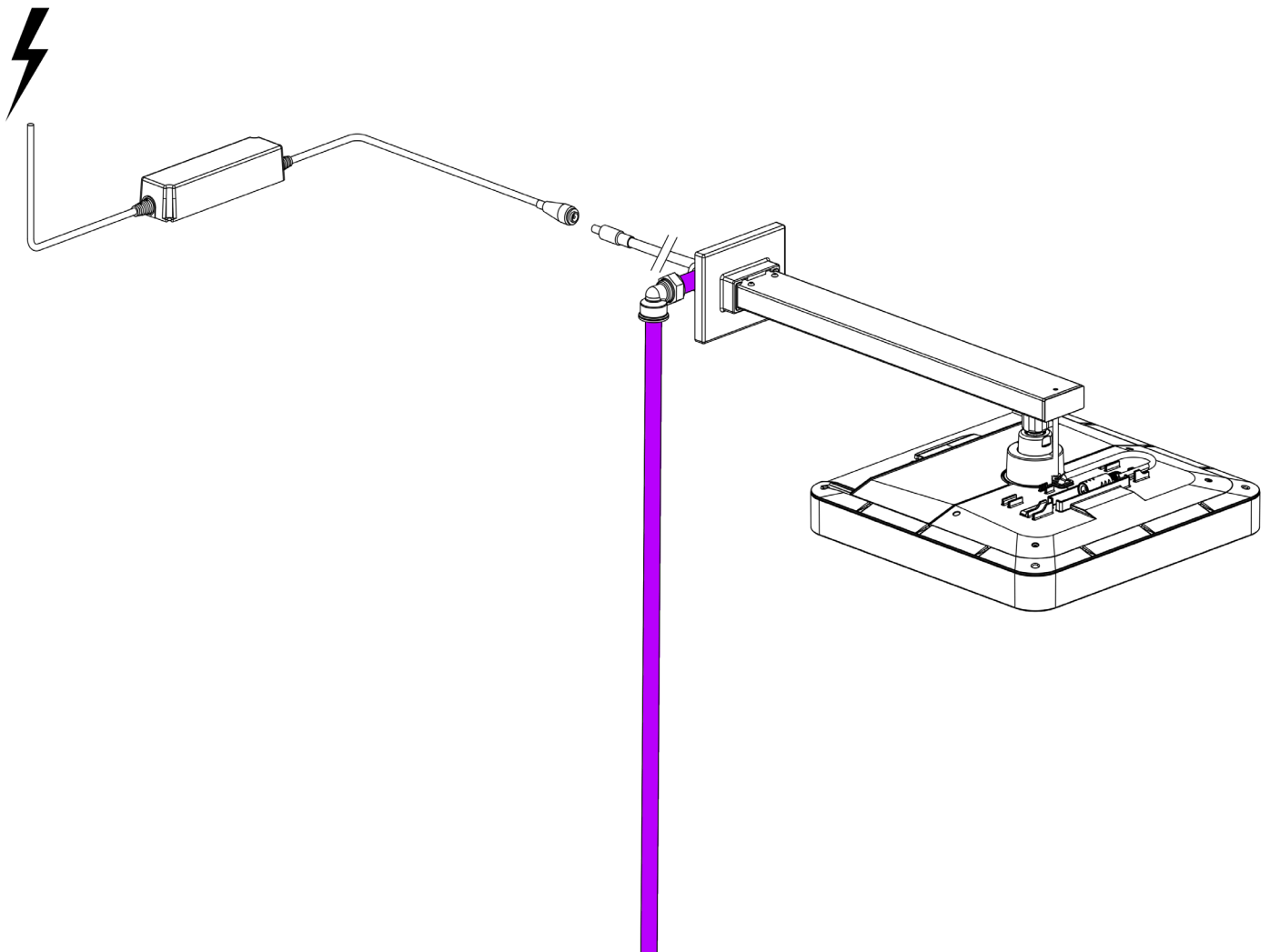
- x1 Ceiling Arm Assembly
- x1 Ceiling Arm Trim w/Sleeve
- x1 Ceiling Arm Bracket
- x1 Transformer

### 3 Installation

- x1 Compression Nut
- x1 Olive
- x1 Mounting Plate
- x6 Screws
- x6 Wall plugs



# Wall Arm Installation

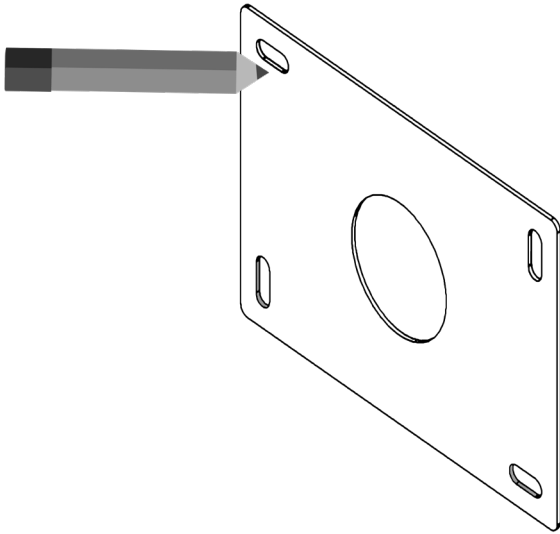


# Wall Arm Installation



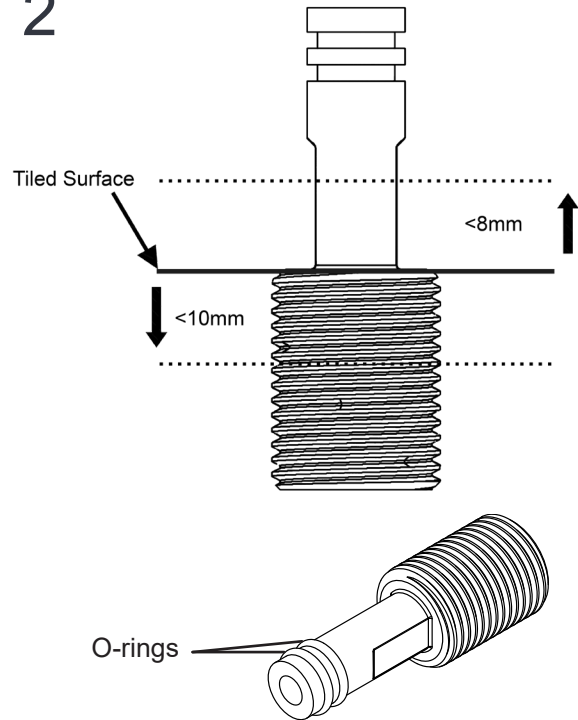
**Warning:** Read through to the end prior to commencing installation!

1



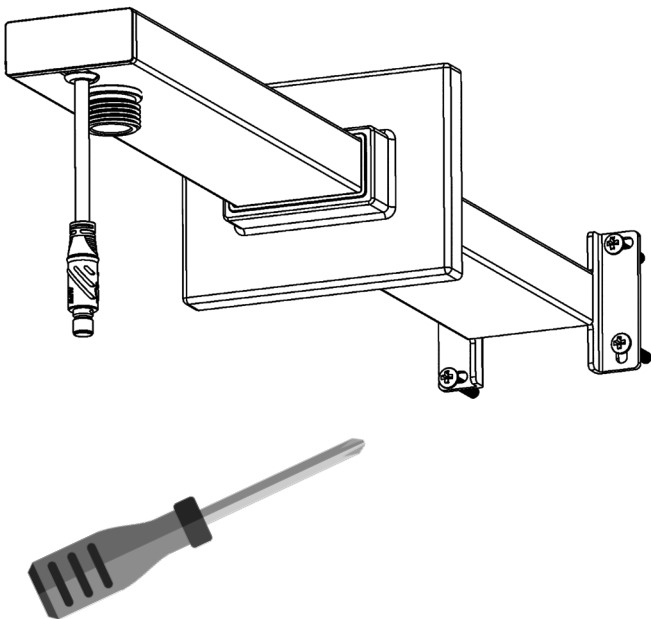
Using the guide provided on page 32, mark out and drill the holes for the Wall Arm Assembly around the pipe outlet. Ensure that the hole for the cable and outlet pipe is no bigger than 60mm diameter.

2



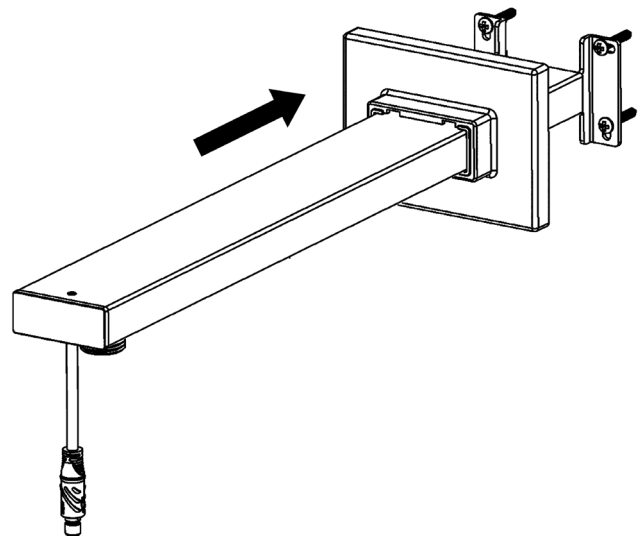
Screw the Water Path Connector to the outlet pipe. Ensure that the Water Path Connector is no more than 10mm proud of the wall tiles and is no more than 8mm inside the wall. Apply plumber's silicone grease onto the O-rings on the Water Path Connector.

3



Feed the power cable of the Wall Arm Assembly into the wall and route/fish the power cable through the wall towards the power supply. Then screw the Wall Arm Assembly to the wall using the Wall Screws and Wall Plugs provided. Ensure that the O-rings on the Water Path Connector are not displaced.

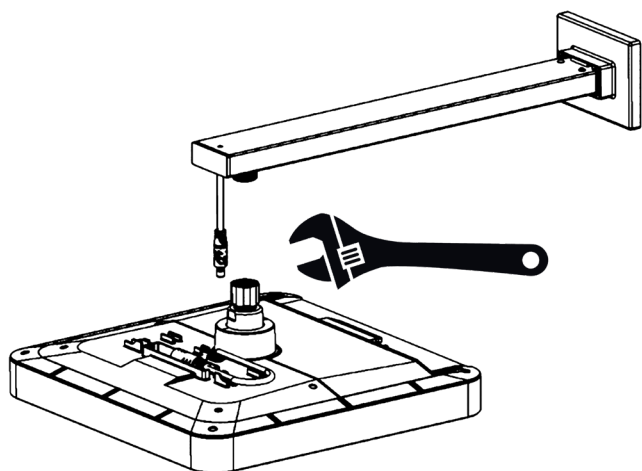
4



Slide the Wall Arm Trim and Trim Sleeve to the wall. Plumbers' silicone may be added to the back of the Wall Arm Trim to fix it in position.

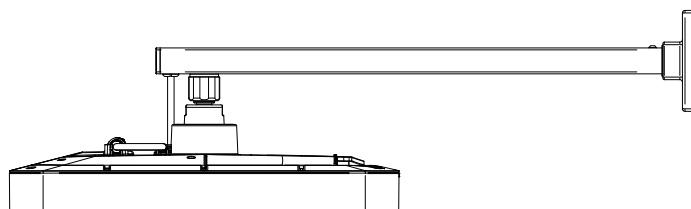
# Wall Arm Installation

5



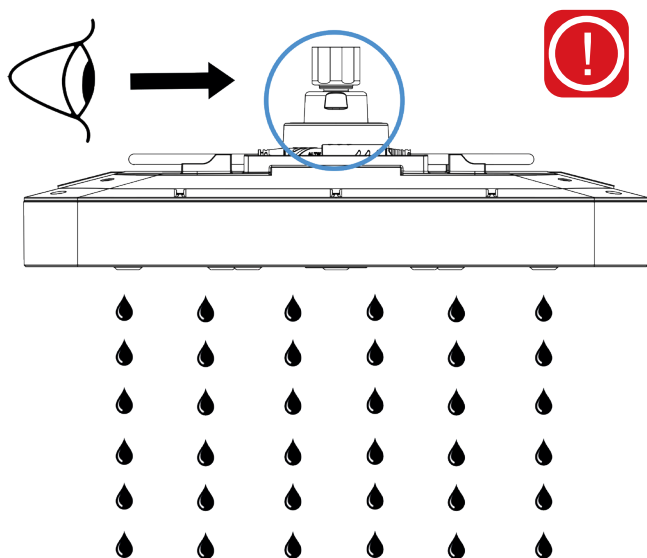
Screw the BubbleSpa® Overhead Shower onto the Wall Arm Assembly. Use a 23mm spanner on the Ball Joint and a 28mm spanner on the Ball Joint Clamp.

6



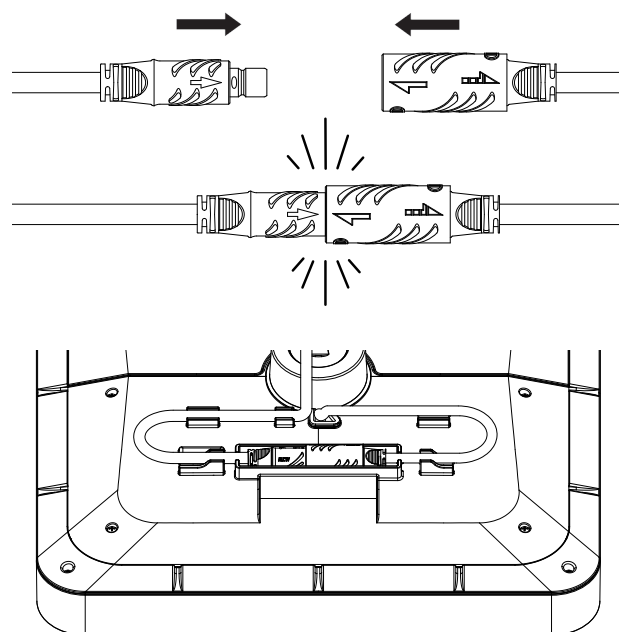
Ensure that the Overhead Shower is horizontal. If the Wall Arm tilts slightly, tilt the Overhead Shower from the Ball Joint to compensate. The Ball Joint allows for a maximum tilt of 10°.

7



Run the Overhead Shower without power to test the water supply. Whilst the shower is running, check the entire installation for any leaks, especially the Ball Joint and Ball Joint Clamp (circled) of the Overhead Shower. It is important that there is no water leaking as this can damage the fan and PCB. Make sure to also check the mixer operation, the temperature and the flow rate.

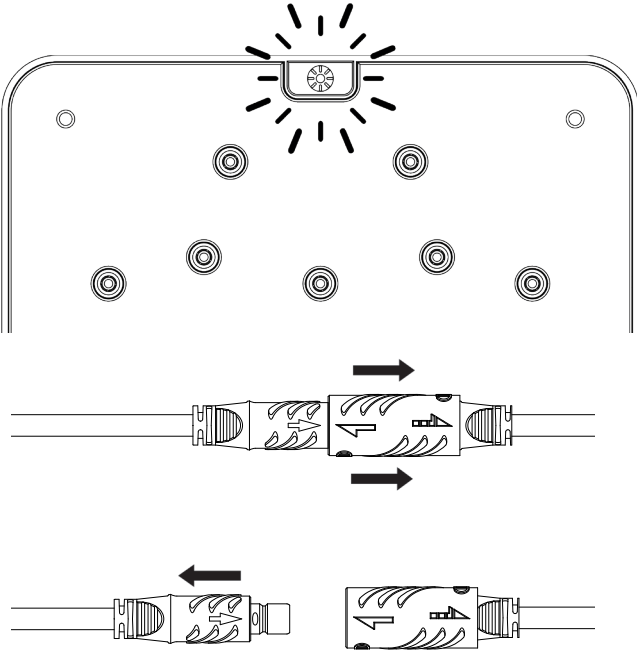
8



Switch off the water then attach the Power Cable by aligning the 2 arrows on the connectors and then pushing the connectors together until a click is heard. Then place the cables into the clips on the Overhead Shower. Connect the other end of the power cable to the Transformer. Then turn on the power supply to the Overhead Shower from the mains.

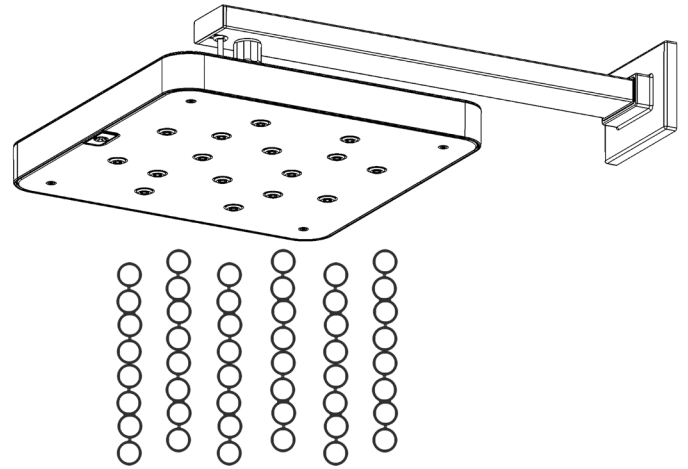
# Wall Arm Installation

9



Once the power is turned on, the Button Light on the Overhead Shower will light up. This is an indicator that power is being supplied to the Overhead Shower. If you need to disconnect the power cable, first isolate the mains. Then, pull back the outer layer of the larger connector, then remove the small connector.

10



Run the Overhead Shower with power to test the air and water supply. We recommend running this test at 38°C. Please note the bubbles do not form as consistently below 20°C. Once you are satisfied with the bubbles, remove the protective film from the faceplate and enjoy your BubbleSpa® shower.

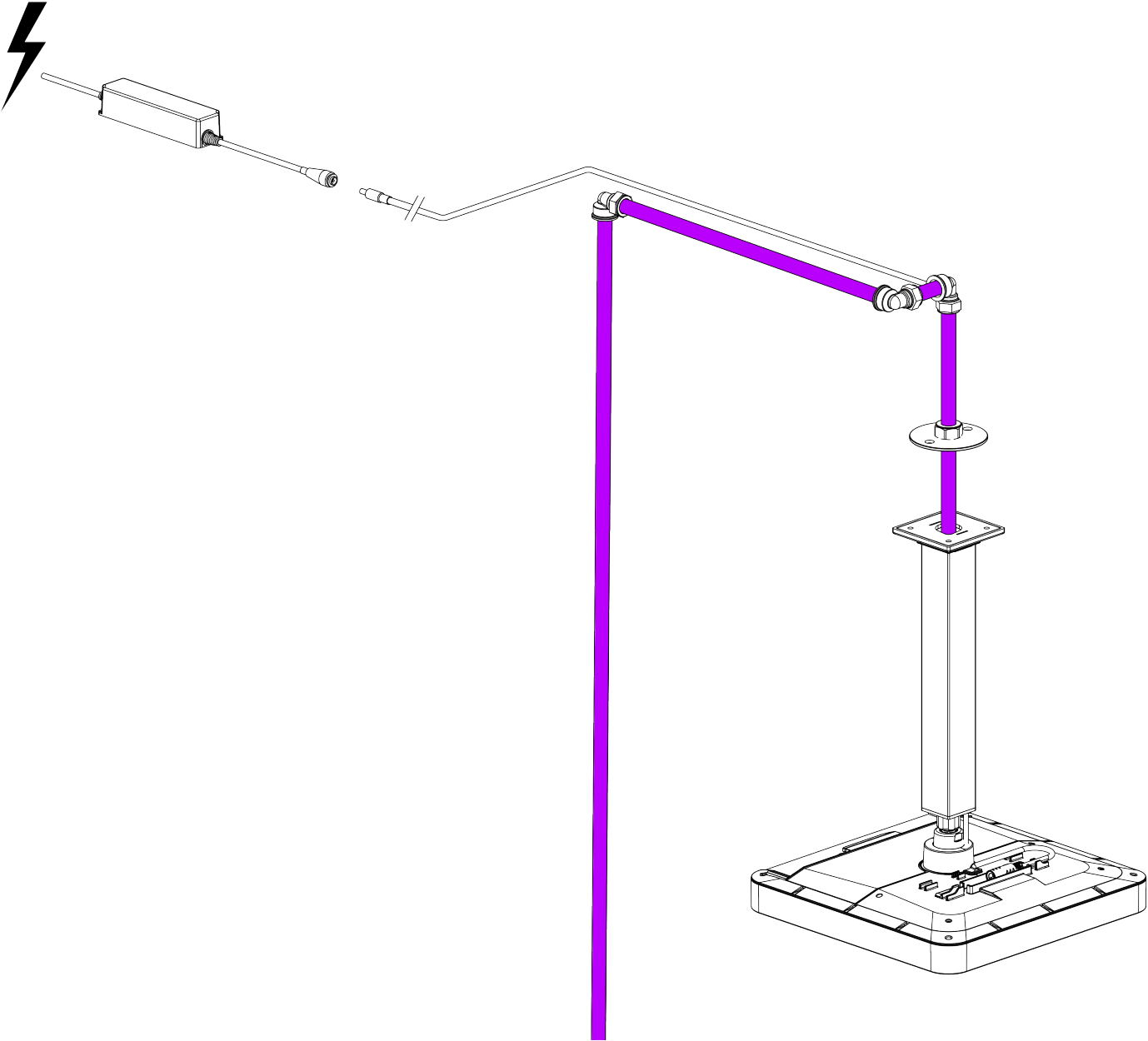


## Warning!

- Always check for hidden pipes and cables before drilling.
- Run water through hot and cold pipes to clear debris from pipework before connecting the Kelda BubbleSpa® Shower

Please note that break up length of bubbles may vary across sites due to plumbing installation, water pressure, water hardness and quality

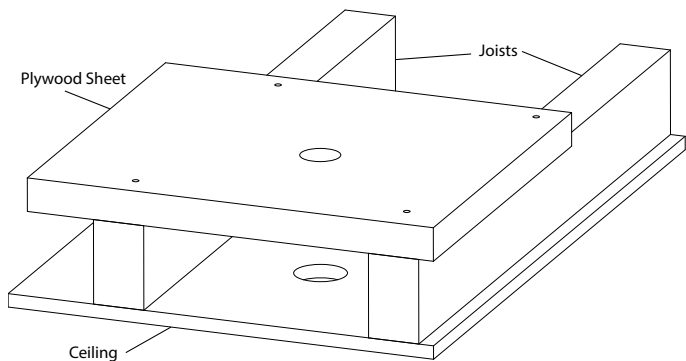
# Ceiling Arm Installation



# Ceiling Arm Installation

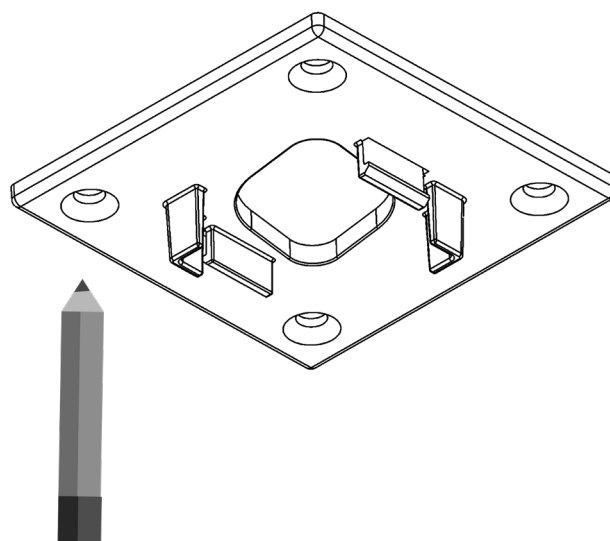


**Warning:** Read through to the end prior to commencing installation!



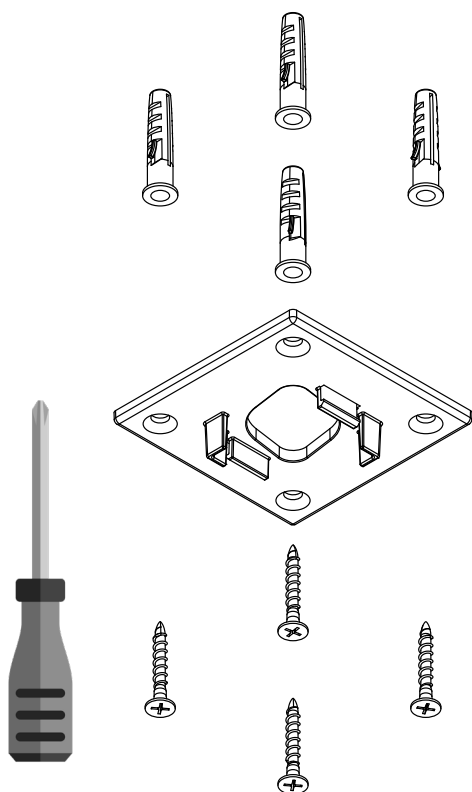
It is recommended to use a sheet of plywood supported by joists (as shown above) to fix the pipe mount permanently. Before installing, make sure the inner pipe of the Ceiling Arm Assembly is long enough to reach above the plywood sheet— cut the inner pipe if it is too long. Once the position of the shower has been determined, drill a hole that is bigger than 17mm but no larger than 60mm diameter in the ceiling.

1



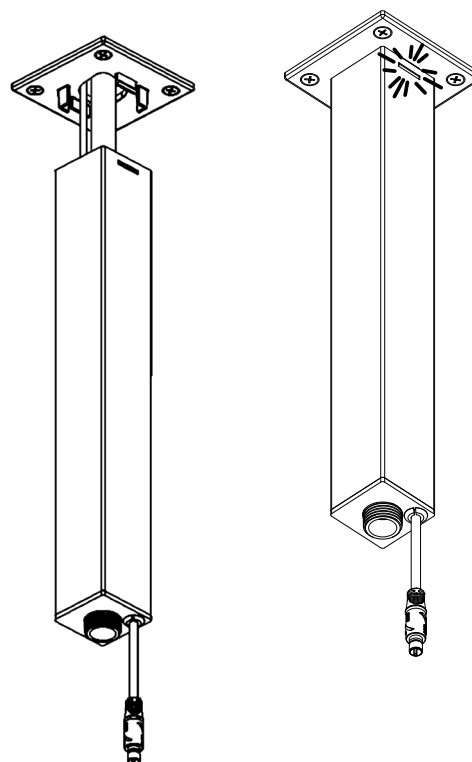
Using the Ceiling Arm Bracket as a guide, mark and drill the holes for the Wall Plugs on the ceiling of the shower cubicle.

2



Insert the Wall Plugs provided into the ceiling and screw the Ceiling Arm Assembly using the screws provided.

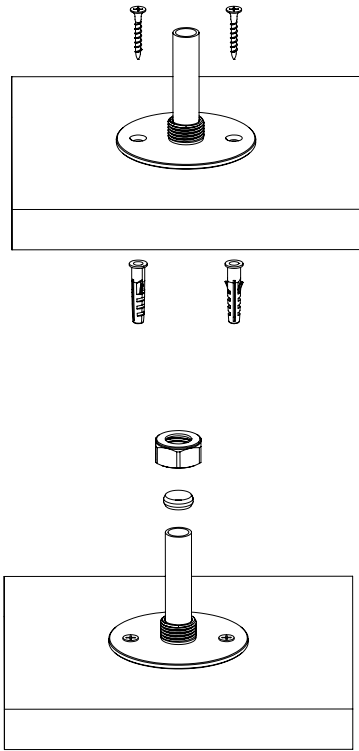
3



Feed the power cable of the Ceiling Arm Assembly into the void. Attach the Ceiling Arm Assembly to the Ceiling Arm Bracket. The Ceiling Arm Assembly will snap onto the bracket. The inner tube will go through the hole with sufficient length to attach the water supply. The inner tube may be cut to length if it is too long.

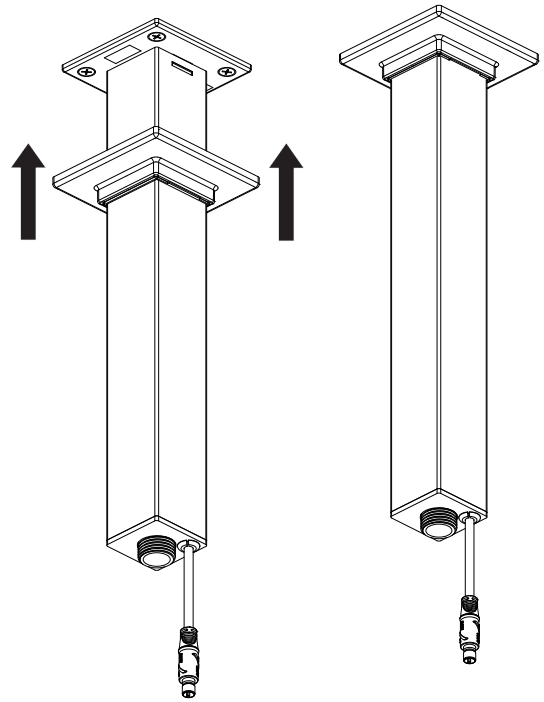
# Ceiling Arm Installation

5



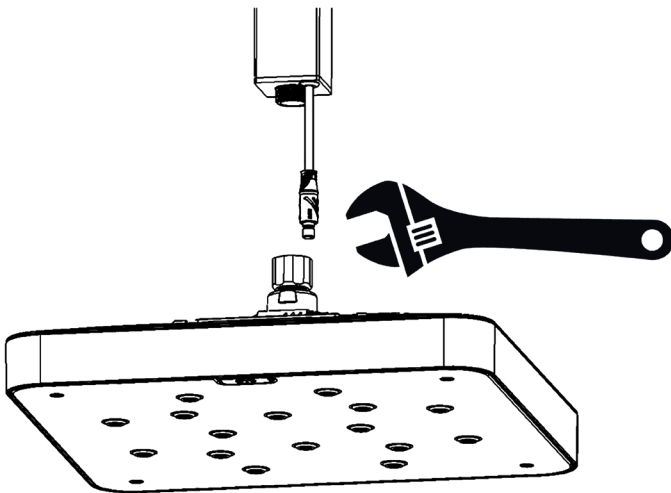
In the ceiling void, place the Mounting Plate over the inner tube. Attach the Mounting Plate to the plywood with Wall Plugs and Wall Screws provided. Then place the Olive and Compression Nut over the inner tube and tighten the nut.

6



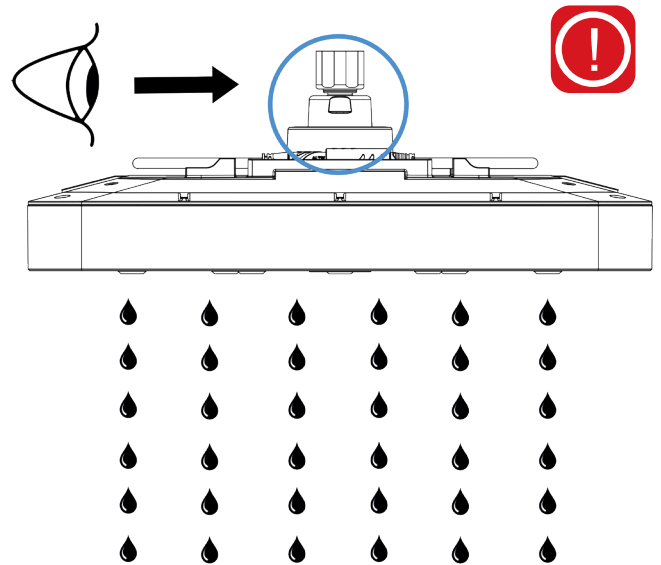
Peel back the double-sided tape on the Ceiling Arm Bracket and slide on the Ceiling Arm Trim. The Ceiling Arm Trim should stick to the tape. Silicone may be added on the back of the Ceiling Arm Trim to help it stick.

7



Screw the BubbleSpa® Overhead Shower onto the Ceiling Arm Assembly. Use a 23mm spanner on the Ball Joint and a 28mm spanner on the Ball Joint Clamp.

8

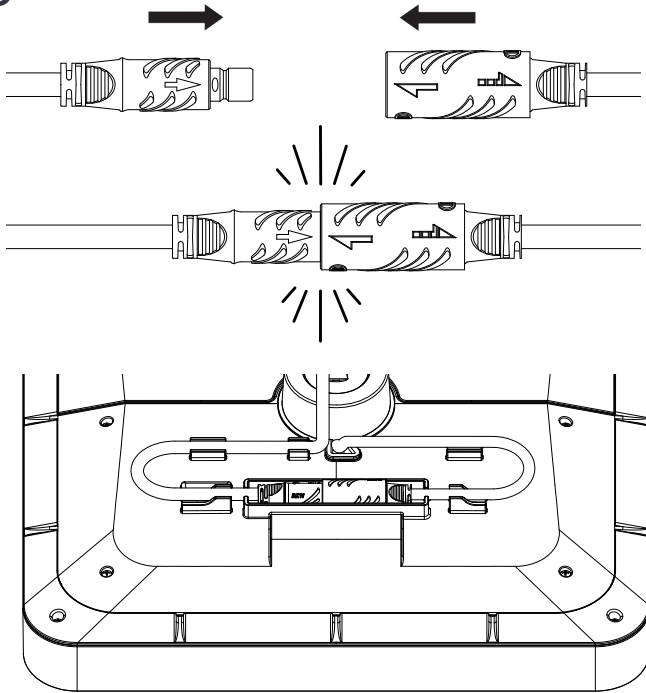


Run the Overhead Shower without power to test the water supply. Whilst the shower is running, check the entire installation for any leaks, especially the Ball Joint and Ball Joint Clamp (circled) of the Overhead Shower. It is important that there is no water leaking as this can damage the fan and PCB. Make sure to also check the mixer operation, the temperature and the flow rate.



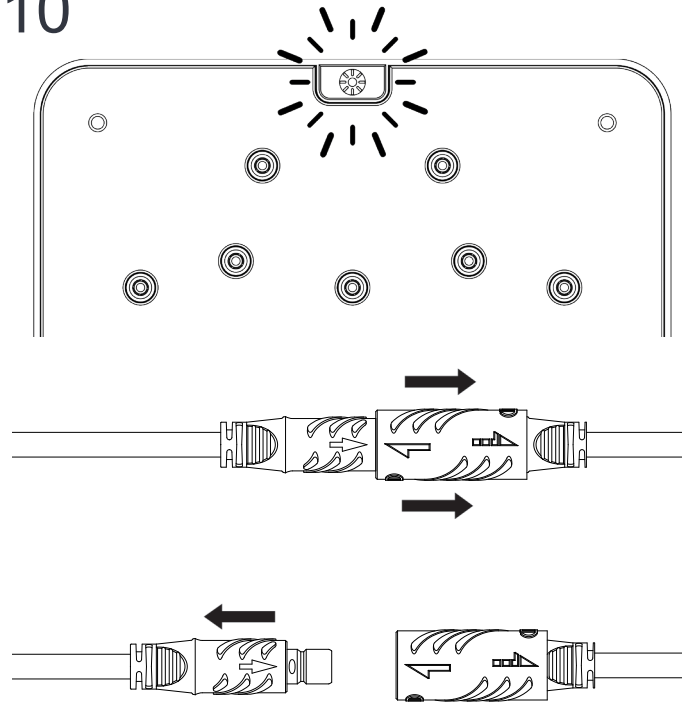
# Ceiling Arm Installation

9



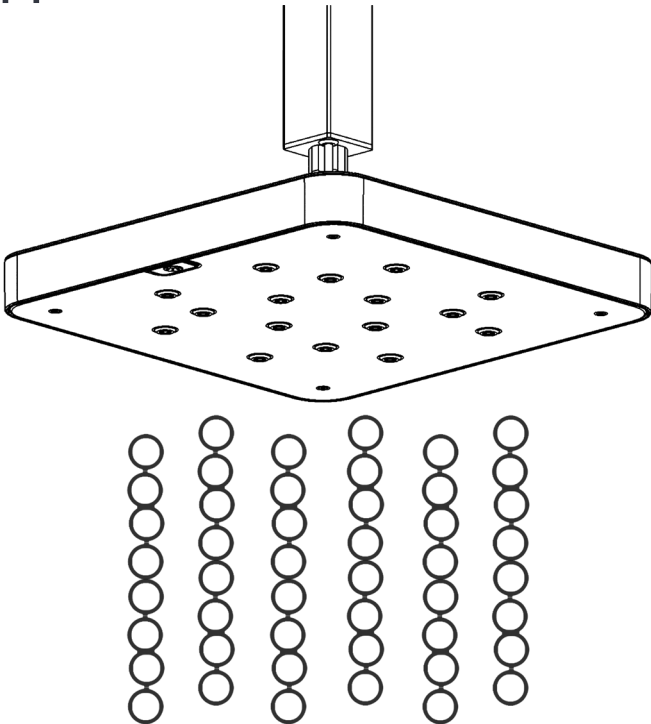
Switch off the water then attach the Power Cable by aligning the 2 arrows on the connectors and then pushing the connectors together until a click is heard. Then place the cables into the clips on the Overhead Shower. Connect the other end of the power cable to the Transformer. Then turn on the power supply to the Overhead Shower from the mains.

10



Once the power is turned on, the Button Light on the Overhead Shower will light up. This is an indicator that power is being supplied to the shower. If you need to disconnect the power cable, first isolate the mains. Then pull back the outer layer of the larger connector then remove the small connector.

11



Run the Overhead Shower with power to test the air and water supply. We recommend running this test at 38°C. Please note the bubbles do not form as consistently below 20°C. Once you are satisfied with the bubbles, remove the protective film from the faceplate and enjoy your BubbleSpa® shower.

## Warning!



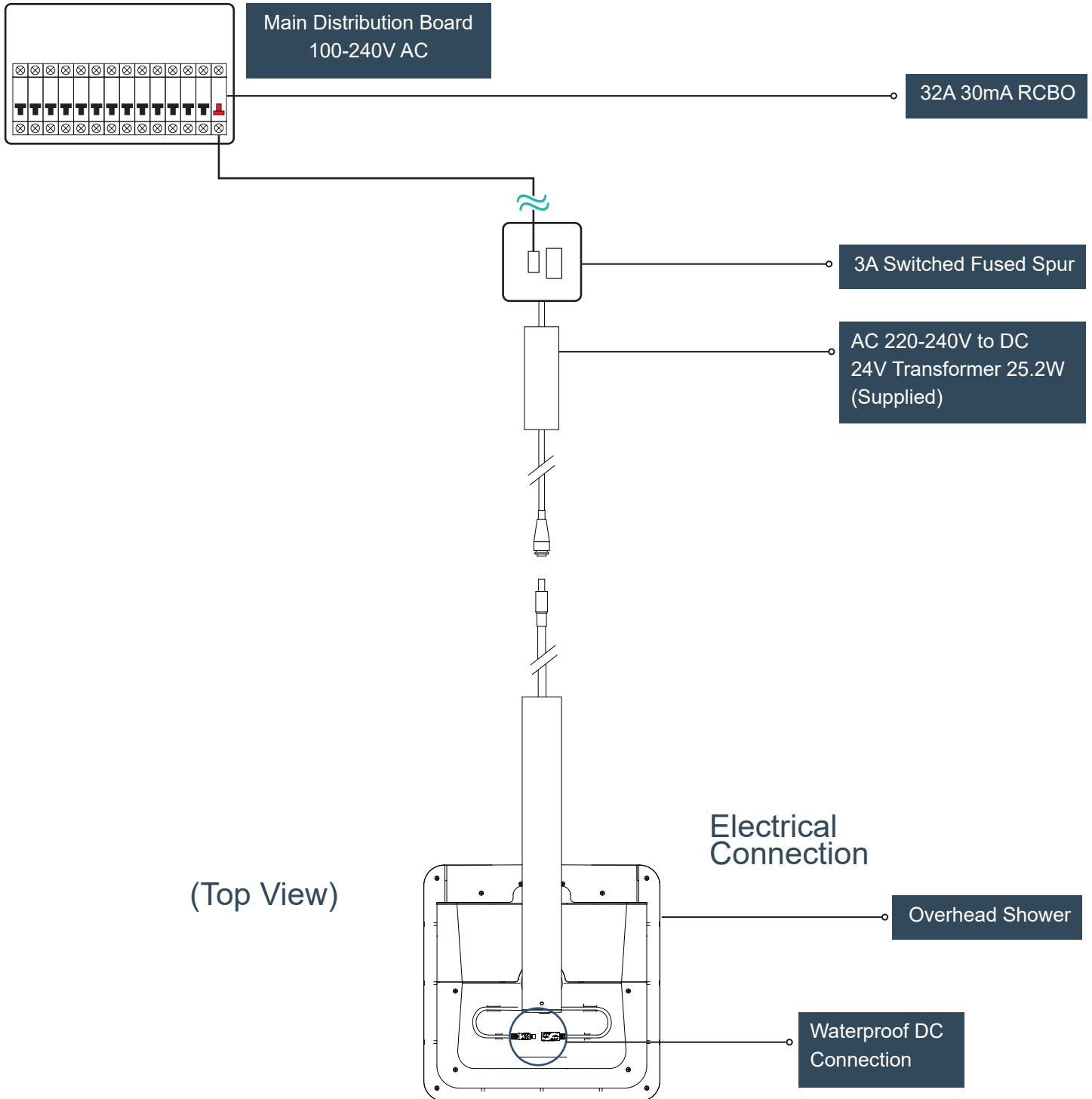
- Always check for hidden pipes and cables before drilling.
- Run water through hot and cold pipes to clear debris from pipework before connecting the Kelda BubbleSpa® Shower.

*Please note that break up length of bubbles may vary across sites due to plumbing installation, water pressure, water hardness and quality*

# Electrical Installation

This shower requires a 100-240 VAC, 47 ~ 63Hz single phase supply. A single 3 Amp switched fused spur should be used for each shower. Up to 12 Kelda showers can run from a single 32A 30mA RCBO.

Before connecting the Transformer, make sure that the mains terminal is able to sustain 240V and 3A. All electrical installation is to be carried out by an approved electrician in accordance with Part "P" U.K. Building Regulations and to the latest IEEE standards, or the appropriate regulations in the country of installation.



(Top View)

The BubbleSpa® Overhead Shower does not require its own [electrical port] on the RCB. Since the BubbleSpa® can be run from a port being used, eg. a kitchen port or lighting. See next page for full details.

# Electrical Installation

## Meanwell Customised 24V LPF Series Unit Transformer



IP67 - Fully Encapsulated  
Class 2 Power Unit

Output		Input	
DC Voltage	24V	Voltage Range	90 ~ 305VAC
Constant Current Region	13.2 ~ 24V	Frequency Range	47 ~ 63Hz
Rated Current	1.05A	AC Current	0.4A / 115VAC
Rated Power	25.2W		0.25A / 230VAC
			0.2A / 277VAC

Protection	
Over Current	95-108% Constant current limiting, recovers automatically after fault condition is removed
Short Circuit	Hiccup mode, recovers automatically after fault condition is removed
Over Voltage	28-35V Shut down and latch off o/p voltage, re-power on to recover
Over Temperature	Shut down o/p voltage, recovers automatically after temperature goes down

Environment	
Working Temp.	Tcase = -35~+70°C
Max. Case Temp.	Tcase = +70°C
Working Humidity	20 ~ 95% RH non-condensing
Storage Temp. Humidity	-40~+80°C, 10 ~ 95% RH
Temp. Coefficient	+/-0.03%/°C (0 ~ 50°C)
Vibration	10 ~ 500Hz, 5G 12min./1 cycle, period for 72min. each along X, Y, Z axes

Safety & EMC	
Safety Standards	UL8750, CSA C22.2 No.250.0-08; ENEC BS EN/EN61347-2-13 independent, BS EN/EN62384, J61347-2-13, EAC TPTC 004, GB19510.14, IP67 approved; Design refer to UL60950-1
Withstand Voltage	I/P-O/P:3.75KVAC
Isolation Resistance	I/P-O/P: 100M Ohms / 500VDC / 25°C / 70% RH
EMC Emission	Compliance to BS EN/EN55015, BS EN/EN61000-3-2 Class C (@load≥50%) ; BS EN/EN61000-3-3, GB17743 and GB17625.1, EAC TP TC 020
EMC Immunity	Compliance to BS EN/EN61000-4-2,3,4,5,6,8,11; BS EN/EN61547, light industry level (surge immunity Line-Line 2KV), EAC TP TC 020



# User Guide (BubbleSpa® Overhead Shower)

## Bubble Effect Light Settings

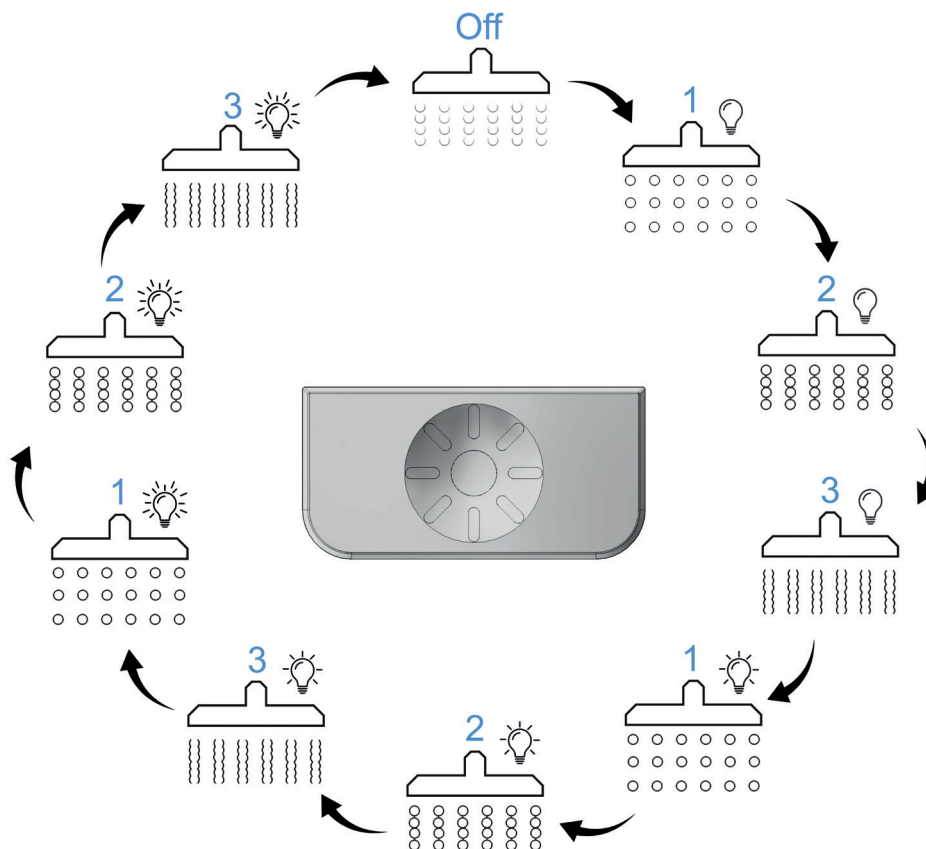
The LED EdgeLight within the Overhead Shower, which illuminates the bubbles, comes with a selection of light modes to give you a satisfying bubble experience no matter what your mood is or the time of day. The EdgeLight can be used both when the shower is on (Wet Mode) or when the shower is off (Dry Mode).

### Wet Mode

Wet Mode is automatically activated when water flows through the Overhead Shower above 6L/min. The default Bubble Mode is “1 Low” (see table below). The Overhead Shower will return to this setting in the event of the power being disconnected.

To change the Bubble Mode simply press the illuminated Button in the faceplate.

Brightness	Bubble Mode		
Off	Bubbles not visible to the naked eye		
Low	1	2	3
Medium	1	2	3
High	1	2	3



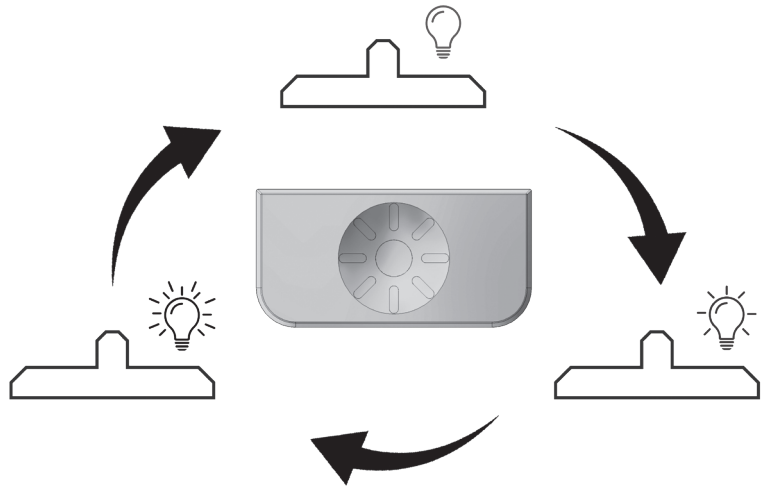
*\*Visual representation of how bubbles LOOK at different settings. Pressing the Button does not change the frequency of bubbles or flow rate of the BubbleSpa® shower.*

- The image above shows the cycle of Bubble Modes.
- Pressing and holding the Button (for 1-2seconds) will turn the light off regardless of which Bubble Mode is currently selected.
- When the water is turned off the Bubble Mode is stored ready for your next shower.
- 'Off' is also saved as a setting – if you find the water on but the main LED array isn't illuminated, it is likely that the Bubble Mode was set to 'off' by the last user. Simply press the Button to cycle to the next Bubble Mode.

# User Guide (BubbleSpa® Overhead Shower)

## Dry Mode

Brightness
Off
Low
Medium
High



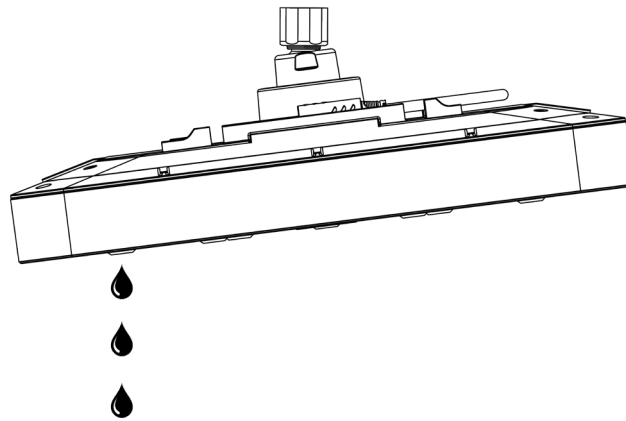
- To activate Dry Mode press the Button when the shower is off. To deactivate, press and hold for 2 seconds.
- Press the Button to change the brightness of the light during Dry Mode.
- The image above shows the Dry Mode cycle when the Button is pressed.
- Wet Mode can be automatically activated from Dry Mode by turning the water on.
- A longer press (1-2seconds) will turn the light off regardless of what mode is currently selected.

## Diagnostic Function

With the light and water off, press and hold the Button for at least 5 seconds to engage the diagnostic tool. During this function, the LED EdgeLight and the fan will turn on. To switch off the fan and EdgeLight, simply let go of the Button. Use this tool to check the function of the fan and EdgeLight.

## After Use

After using the shower, users are advised to tilt the Overhead Shower. This drains the water inside of the water chamber.



### Flashing Lights!



This product uses flashing lights at frequencies of 72Hz, 200Hz and 10,000Hz. The effect of the lighting modes will vary depending on ambient lighting and the environment in which it is installed. Anyone diagnosed with a condition which could be triggered by flashing lights should seek further medical advice.

Bubble Mode	Frequency
1	72Hz
2	200Hz
3	10,000Hz

# Maintenance

Kelda showers are designed for easy maintenance and should give a safe and consistent performance, provided that:

1. Kelda showers are installed, commissioned, operated and maintained in accordance with this installation guide.
2. Periodic attention is given as necessary to maintain the product in good functional order.

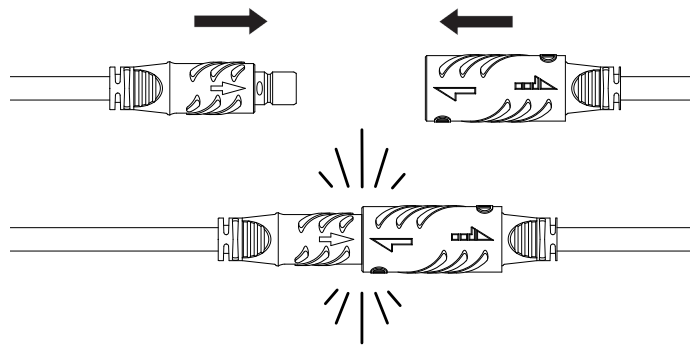
Maintenance must be carried out in accordance with these instructions, and must be conducted by designated, qualified and competent personnel. Kelda showers are built with the highest quality components which are designed for a long life, but due care must be taken during maintenance to avoid damage.

## External Surfaces

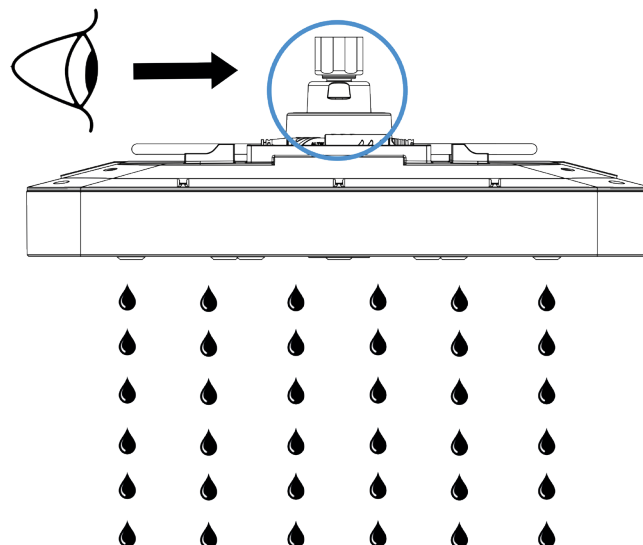
External surfaces of the Overhead Shower and Arm Assemblies may be wiped clean with a soft cloth and if necessary, a mild cleaning or descaling solution can be used. Always remove cleaning agent residue as this can discolour the surface. Care must be taken not to allow bleach, chlorine or other strong cleaning agents onto or inside the product.

## Dismounting the Overhead Shower

Some maintenance steps will require you to dismantle the Overhead Shower. Before dismantling the Overhead Shower it is important to first switch off the mains power.



When remounting the Overhead Shower it is important to tighten both the Ball Joint and the Ball Joint Clamp. Run water through the shower and check that there are no leaks in this area or the system. **Only turn on the mains power when the Power Cable is connected.**



# Maintenance

## Things to Avoid

To keep the BubbleSpa® shower functioning well, please avoid the following:

- Blocking the nozzles while the BubbleSpa® is running.
- Hanging items on the BubbleSpa® Overhead Shower or Arm Assemblies.
- Using the BubbleSpa® shower without a PCB Cover or Dust Cover with Dust Filters.
- Using the BubbleSpa® Shower without a filter.

Be careful not to allow water into the fan when:

- Fitting/removing the BubbleSpa® Overhead Shower
- Spraying any additional water source up at the BubbleSpa® shower
- Descaling the BubbleSpa® Overhead Shower (page 25).



## Fan Protection Mode

If while water is running: the fan and EdgeLight switches off, the Button light starts flashing and the Button becomes unresponsive, then you have entered Fan Failure Mode. This mode is automatically activated if the fan is running slower than it should be. This is most likely caused by water ingress, debris/an obstruction in the fan or clogged Dust Filters.

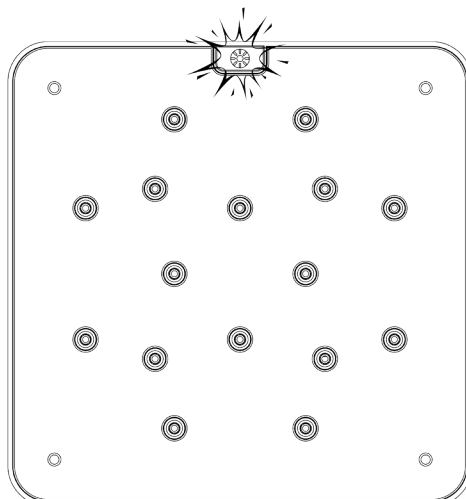
If the Overhead Shower enters Fan Failure Mode, stop using the shower, switch off the water, switch off the power via the mains and disconnect the power cable. Dismount the Overhead Shower, open the Dust Cap and inspect the fan. You may have to:

- Remove the debris and clear all obstructions on or in the fan.
- Ensure the Dust Filters are present and secured in the Duct Cap.
- Drain the water from the fan and leave the fan to dry.

If you find water ingress within the fan, please find the cause and solve it so it does not reoccur. Once complete, remount the Overhead Shower, reconnect the power cable and turn on the mains power. Turn on the water to test the function of the fan. If the fan re-enters Fan Failure Mode then:

- The maintenance process was incomplete and needs to be repeated and conducted more thoroughly.
- The fan has sustained permanent damage.

If the fan has sustained permanent damage, contact Kelda Customer Service.



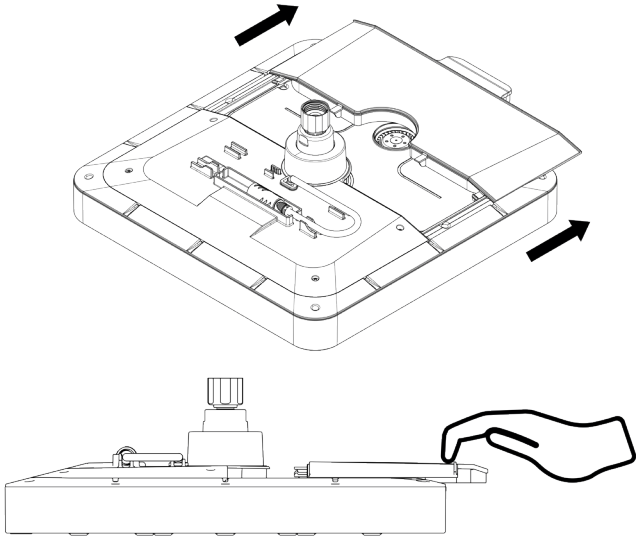


# Maintenance

## Cleaning Dust Filters

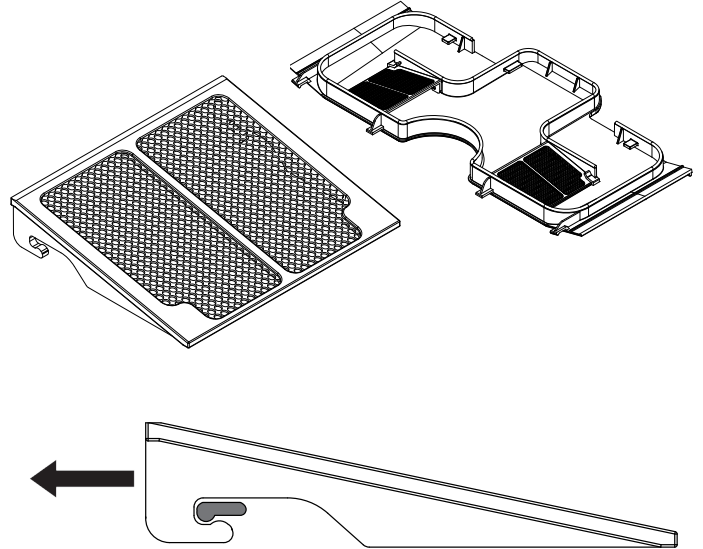
The Dust Cap can be removed from the BubbleSpa® Overhead Shower in order to clean the Dust Filters. The Dust Filters can be removed and cleaned. Ensure that the Dust Filters are dry upon replacement.

1



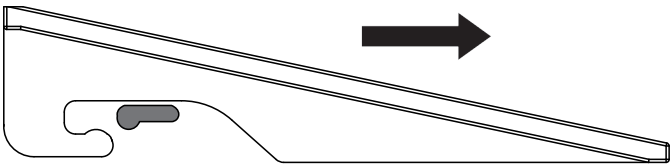
Switch off the water and power and disconnect the power cable on the Overhead Shower. Then dismantle the Overhead Shower using a spanner and place the Overhead Shower onto a soft cloth. Be careful not to get any water onto the fan. Then slide the Dust Cap off the Overhead Shower as shown with both hands.

2



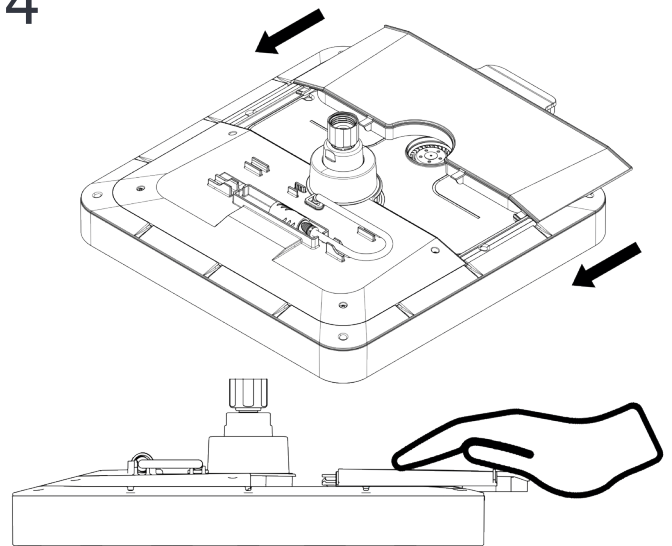
Remove the Dust Filters from the Dust Cap as shown and clean the Dust Filters. Wipe down the underside of the Dust Cap and the surface of the Overhead Shower with a damp cloth. Take care not to get any moisture on to the fan.

3



Dry the Dust Filters and place them back into the Dust Cap. Make sure the Dust Filters are secured tightly in the Dust Cap.

4



Slide the Dust Cap onto the Overhead Shower. Make sure the Dust Cap is secured tightly and then mount the Overhead Shower onto the arm using a spanner. Reconnect the power cable then switch on the power and water supply.

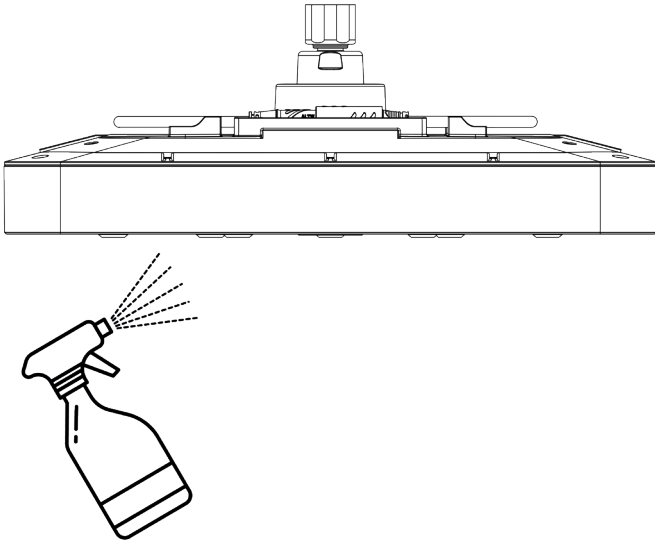


# Maintenance

## Descaling the BubbleSpa® Overhead Shower

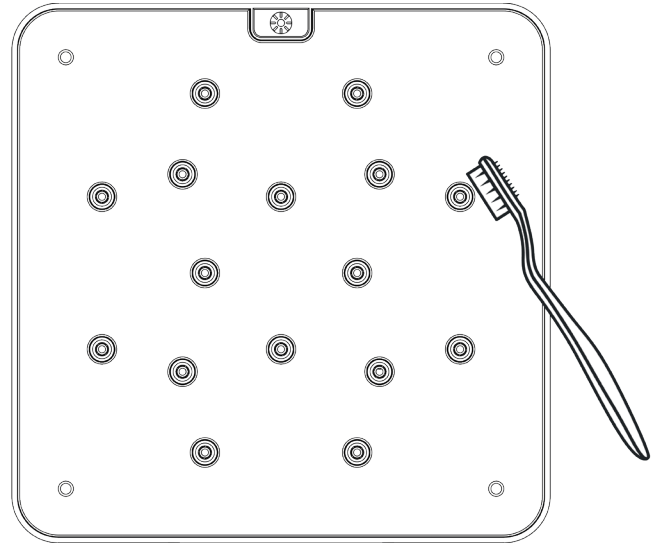
The design of the HydrO<sub>2</sub> nozzles makes them easy to clean and descale should limescale build up and start affecting the performance. The frequency in which one should descale the BubbleSpa Overhead Shower depends on the water quality and frequency of use.

1



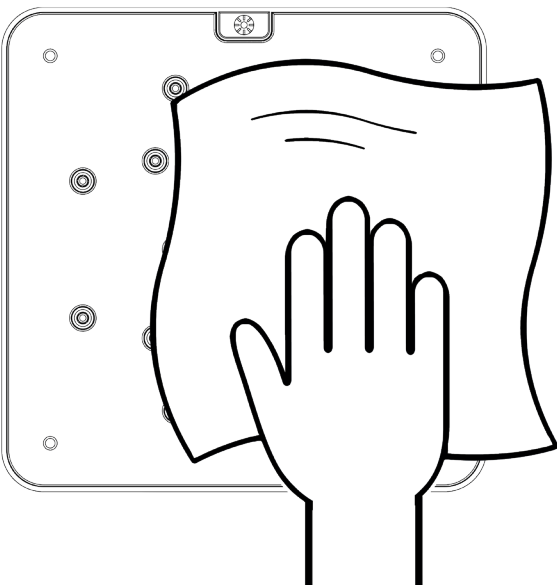
Spray cleaning solution onto the faceplate.

2



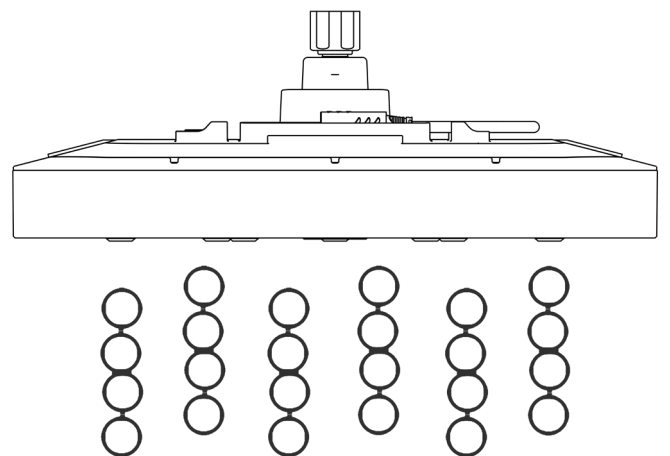
Clean the nozzles using a soft brush.

3



Wipe the faceplate using a damp cloth to remove the loosened debris.

4



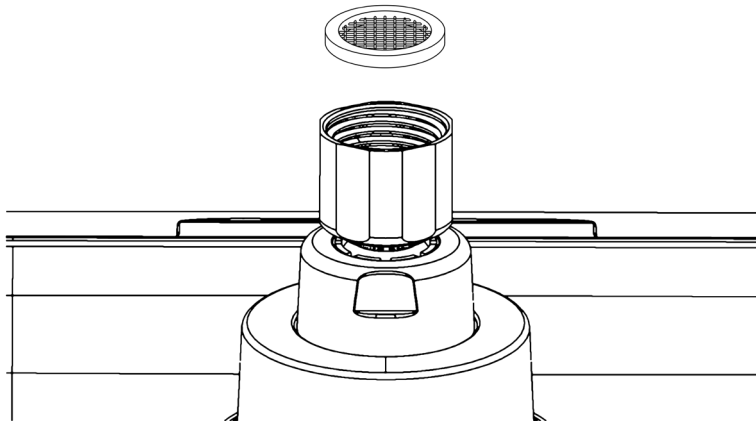
Run the shower for 1-2 minutes to flush out any cleaning solution and debris.

# Maintenance

## Cleaning the Filter

Filters are installed in the BubbleSpa® Overhead Shower to prevent any debris from entering the Overhead Shower. Debris in the water system may clog the filters which may result in a lower water flow rate. These filters are located inside the Ball Joint. To clean or replace these filters: Switch off the mains power to the Overhead Shower and disconnect Power Cable. Unscrew the Overhead Shower from the Wall/Ceiling Arm Assembly. Remove and clean the filter, then place it back into the Overhead Shower (or replace the filter). Screw the Overhead Shower back onto the Wall/Ceiling Arm Assembly, connect the power cable and then switch the mains power on.

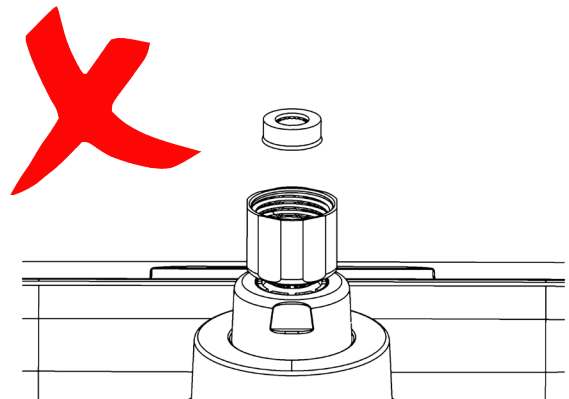
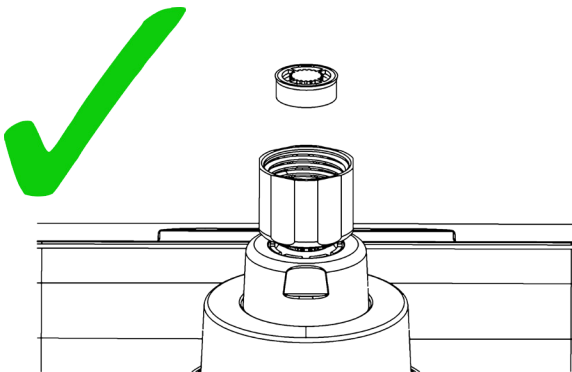
If you have found debris in the showerhead filter, it's likely the filters of your mixer valve also need to be cleaned. Please check the filters on your mixer valve and clean them. We recommend flushing through the water system before the freshly cleared filter/filters are refitted. Using the BubbleSpa® shower without a filter in the Overhead Shower will void the warranty and negatively affect the performance of the product.



## Changing the Flow Regulator (Flow Restrictor)

To change the flow regulator: Switch off the mains power to the Overhead Shower and disconnect the Power Cable. Unscrew the Overhead Shower from the Wall/Ceiling Arm Assembly. The flow regulator is located underneath the filter so remove the filter and the flow regulator. Then replace the flow regulator and place the filter on top. Screw the Overhead Shower back onto the Wall/Ceiling Arm Assembly, reconnect the power cable and turn the mains power back on.

The BubbleSpa® Overhead Shower operates at a range of 8– 12L/min. Using the BubbleSpa® Overhead Shower without a Kelda-supplied flow regulator will void the warranty and negatively affect the performance of the product.



# Troubleshooting

Before troubleshooting, ensure that the correct installation, usage and maintenance procedures have been followed. Improper installation and improper use of the product can cause a lot of issues. The guide below is designed to help identify and solve minor issues which may occur. If the issue is still not resolved, please contact Kelda Customer Service:

info@keldashowers.com  
+44 (0)2381 290640

**DO NOT** disassemble the BubbleSpa® Overhead Shower beyond the instructions contained in this manual. Disassembling the BubbleSpa® Overhead Shower will invalidate the warranty.

## BubbleSpa® Overhead Shower

Symptom	Likely Cause	Action/ Remedy
Poor/ no water flow:	Hot or cold water supply isolation valve closed	Check and open valve
	Blocked filter	Clean/ replace the filter in the Overhead Shower (see page 26)
	Mixer valve not functioning	Check mixer valve
Water flows from Overhead Shower but no air:	No power to the fan	Check power light indicator, if off contact a qualified electrician Overhead Shower has entered Fan Protection Mode (see page 23) If on, conduct hard reset by switching off electrical supply and waiting 10 seconds before switching back on
	Fan Damaged	Use Diagnostic Function to see if the fan is working. If not, contact Kelda
	Debris in fan	Clean the Dust Filters
One/ a few nozzles aren't making bubbles:	No laminar flow through nozzle	Gently brush a finger against the nozzle whilst the shower is running. Should this not work, use a soft brush to clean the outer ring of the nozzle.
	Faulty nozzle is blocked	Descale the Overhead Shower to remove debris (see page 25). Check the filter is installed correctly (both in the Overhead Shower and in the valve) Clean/ replace the filter in the Overhead Shower (see page 26)
	Insufficient water supply	Increase the water flow to the shower.
Multiple/ all nozzles aren't making bubbles	Insufficient water supply	The fan wont turn on below 6L/min therefore no bubbles will be produced. Clean/ replace the filter in the Overhead Shower (see page 26). Increase the water flow to the shower.
	Limescale/ Debris build up in the nozzles	Descale the BubbleSpa® Overhead Shower (see page 25). It is recommended not to leave the BubbleSpa® Overhead Shower unused for more than 2 weeks.
Water flow too strong:	Flow restrictor not installed.	Check if the flow restrictor is properly installed (see page 26)
Water leaking from Overhead Shower when the valve is turned off/ closed	This can be normal for a short period time after the shower has been used	N/A
	Pressure has exceeded that stated for the product	Please refer to technical data and adjust as necessary
	Flow valve leaking	Remove and check the Flow Cartridge of the mixer

# Customer care

## Guarantee

Kelda Showers Ltd. guarantees this product against any defect in materials or workmanship for the period of two years from the date of purchase. To be covered by this guarantee, installation and maintenance should be carried out as described in this manual.

## Not covered by this guarantee

Damage or defects arising from incorrect installation, improper use or failure to maintain in accordance with the instructions in this product manual, including the build-up of limescale. Defects or damage if the product is taken apart, repaired or modified by a person not authorised by Kelda Showers Ltd. or by their approved agents.

## After-sales service

Our fully trained staff are ready to provide assistance, should you experience any difficulty operating your Kelda Showers Ltd. equipment.

## Spare parts

All spares are guaranteed for 12 months from the date of purchase. Spares that have been supplied directly from us can be returned within one month from the date of

purchase, providing that they are in good order and the packaging is unopened. Note: returned spares will be subject to a 15% restocking charge and authorisation must be obtained from Kelda Technology before return.

For the full list of spare parts, please refer to:  
[www.keldashowers.com/](http://www.keldashowers.com/)

## Customer care policy

If within a short space of time of installation the product does not function correctly, first check with the operation and maintenance advice provided in this installation guide to see if the difficulty can be overcome. If this fails, contact your installer to make sure that the product has been installed and commissioned in full accord with our detailed installation instructions. If this does not resolve the difficulty, please contact Kelda Technology who will give you every assistance.

## Declaration of conformity

Kelda Showers Ltd. declares the the BubbleSpa® shower range complies with the essential requirements and other relevant provisions of safety standards: EN IEC 60335-2-105:2021\* (EN60335-1:2012 (+A15:2021\*)). EMC standards: EN 55014-1:2017 (+A11:2020\*). EN55014-2:2015 (Category IV), IEC61000-3-2:2014, IEC61000-3-3:2013. IPX4 : EN 60529:1992 +A2:2013\*. RoHS: EN50581:2012

## Patents:

Patents  
granted and  
pending:  
1692638P/US





## UK HEAD OFFICE

Unit 11, Brickfield Trading Estate, Chandler's Ford, Eastleigh,  
SO53 4DR, UK

Tel: +44 (0)2381 290640

Web: [www.keldashowers.com](http://www.keldashowers.com)



### DISPOSAL

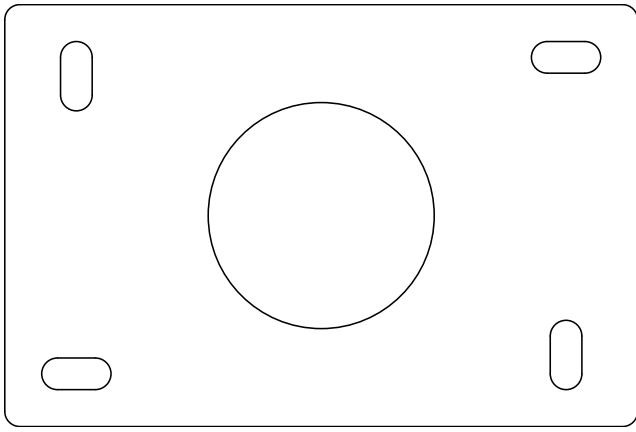
Do not dispose of with household waste. Please recycle where facilities exist.  
Check with your local authority for recycling advice.



# Notes



# Notes



*Cut out for installing the Wall Arm*